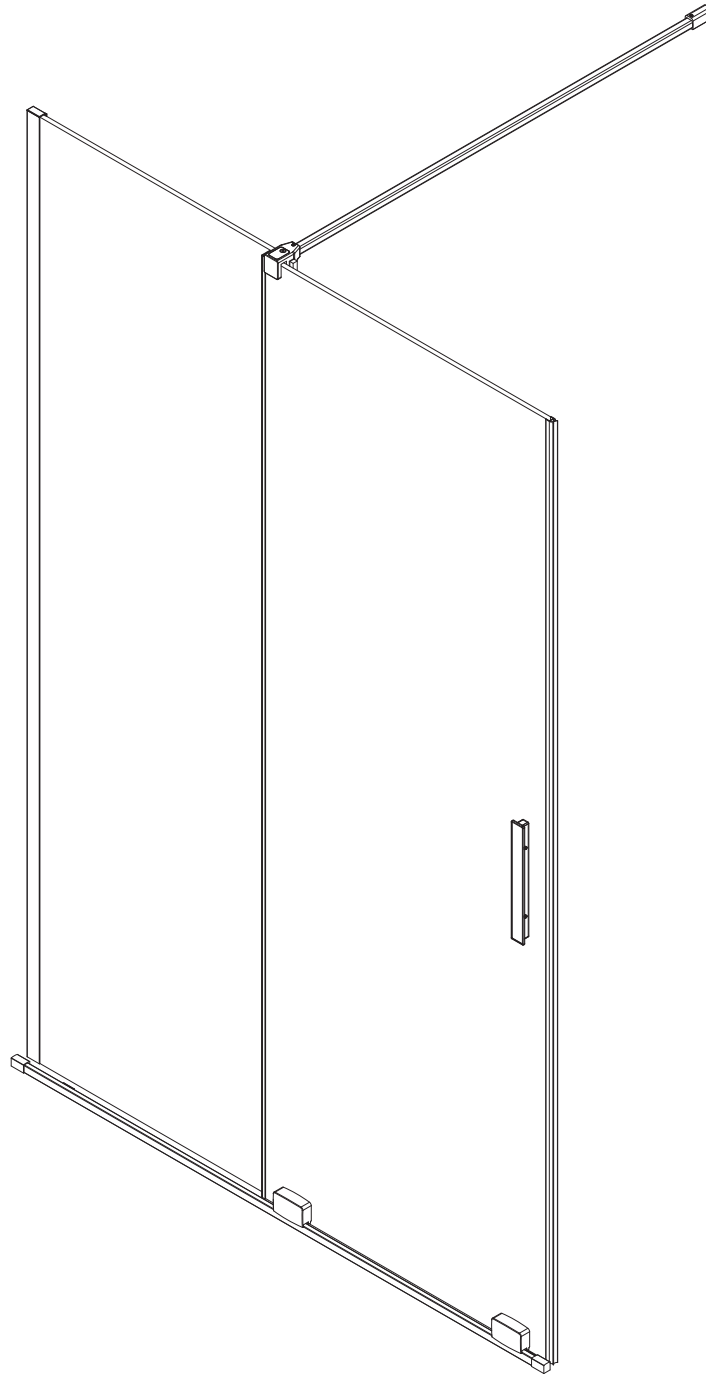


PHOENIX[®]

THE RETAIL BRAND



Pensato

V5.5

◆ General Information

Please inspect the product immediately upon receipt for transit damage, missing packs/parts or manufacturing fault. Damage reported later cannot be accepted.

Please handle the product with care avoiding knocks and shock loading to all sides and edges of the glass.

Note: Safety glass cannot be re-worked

Please read these instructions carefully before start of installation

Special care should be taken when drilling walls to avoid hidden pipes or electrical cables Note: This product is heavy and may require two people to install.

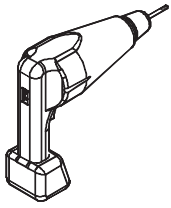
Aftercare instructions

After use, your shower should be cleaned with soap and water. This is particularly important in hard water areas where insoluble lime salts may be deposited and allowed to build up. Cleaners of a gritty or abrasive nature should not be used. Care should be taken to avoid contact with strong chemicals such as organic solvents and strippers.

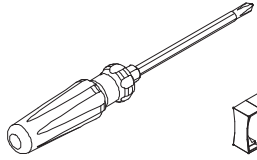
Shower Tray Requirements

This product is designed to be installed on any Phoenix Shower Tray and requires a minimum flat edge of 60mm.

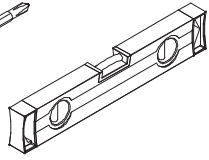
Please keep these instructions for aftercare and customer service details



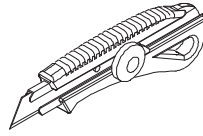
DRILL



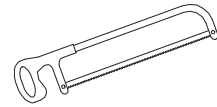
SCREWDR



LEVEL



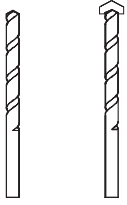
PRECISION KNIFE



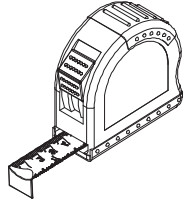
HACKSAW



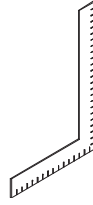
SILICONE



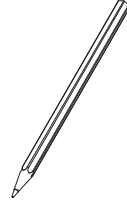
DRILLBITS
Ø3.2 Ø6



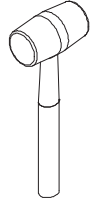
MEASURING TAPE



SET SQUARE

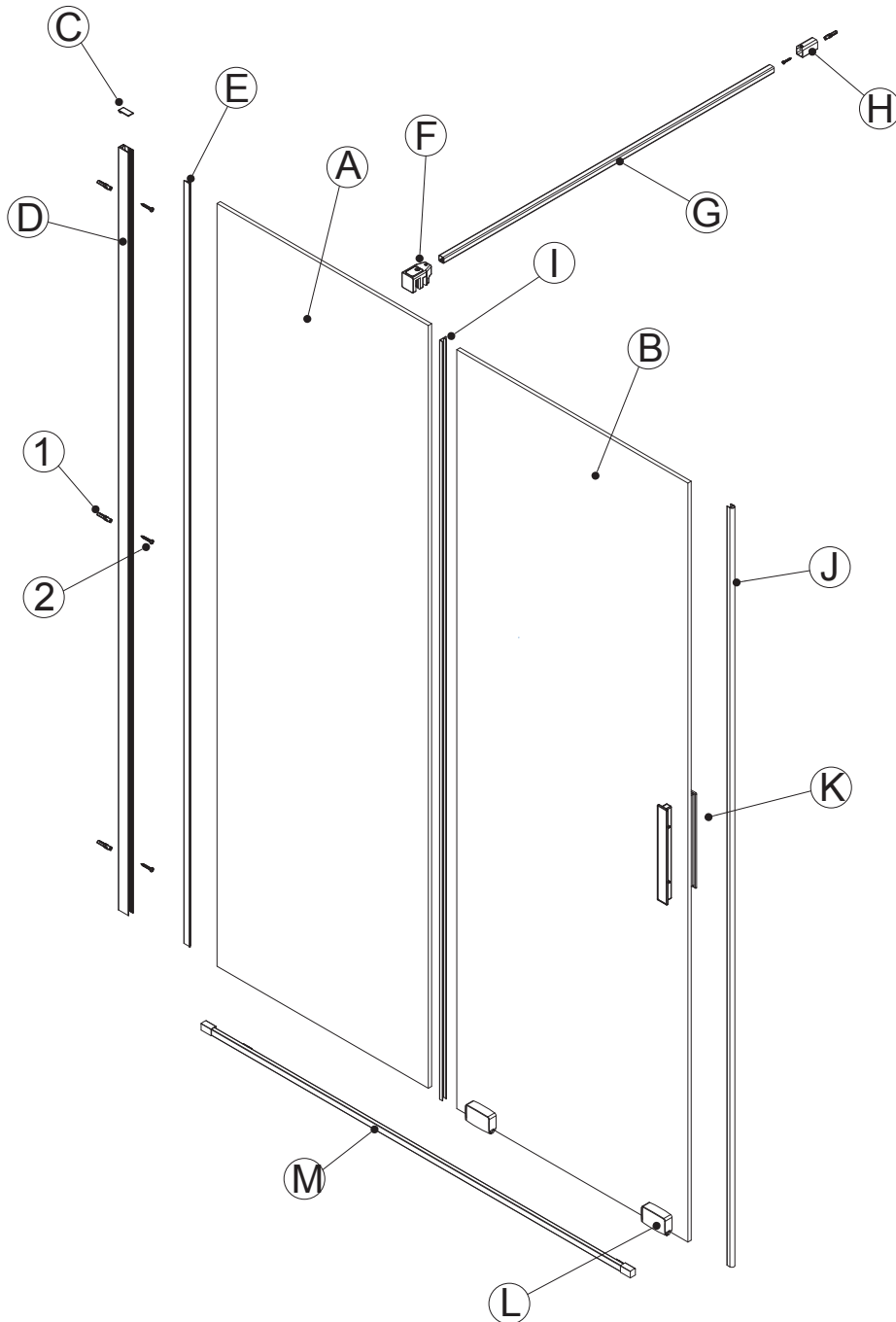


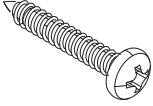
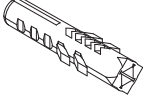
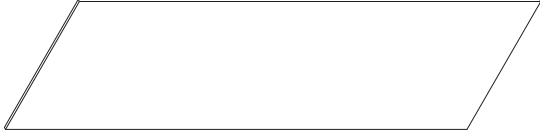
PENCIL


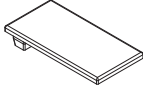
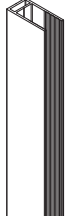



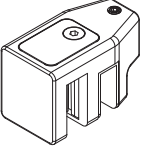
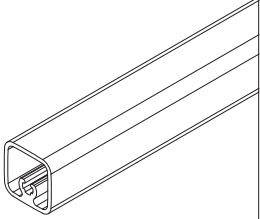
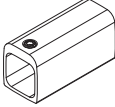

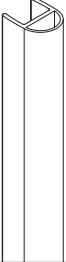
MALLET

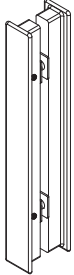
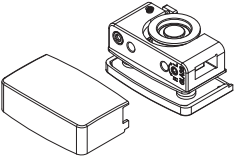
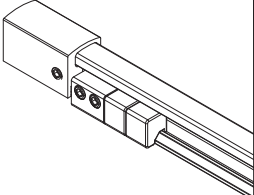
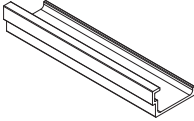
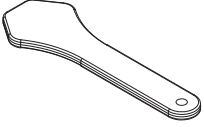
Assembly Drawing



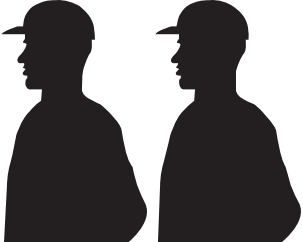


<p>1</p>  <p>4X30 4PCS</p>	<p>2</p>  <p>Ø6X30 4PCS</p>	<p>A</p>  <p>1PC</p>
---	--	--

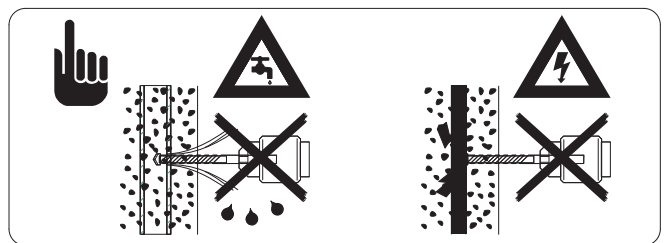
<p>B</p>  <p>1PC</p>	<p>C</p>  <p>1PC</p>	<p>D</p>  <p>1PC</p>	<p>E</p>  <p>1PC</p>
---	---	---	---

<p>F</p>  <p>1set</p>	<p>G</p>  <p>1PC</p>	<p>H</p>  <p>1PC</p>	<p>I</p>  <p>1PC</p>	<p>J</p>  <p>1PC</p>
---	--	--	--	--

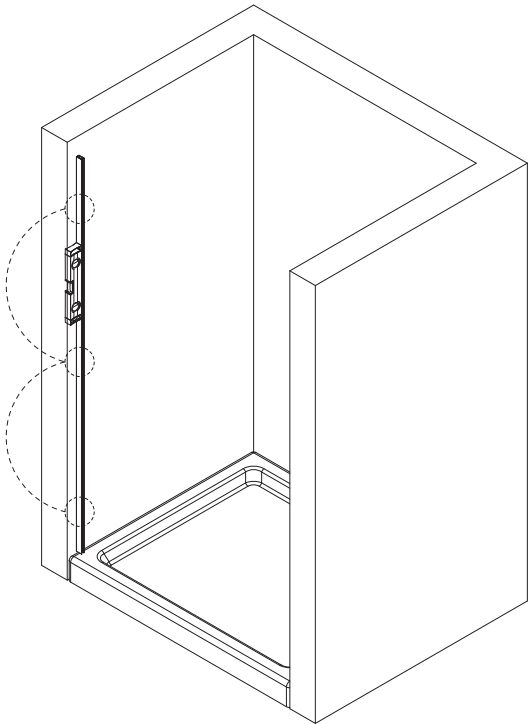
<p>K</p>  <p>1sets</p>	<p>L</p>  <p>2sets</p>	<p>M</p>  <p>1sets</p>	<p>N</p>  <p>2PC</p>	<p>O</p>  <p>1PC</p>
---	---	---	---	---

<p>P</p>  <p>1PC</p>	 <p>This product is heavy and may require two people to install.</p> 		
---	--	--	--

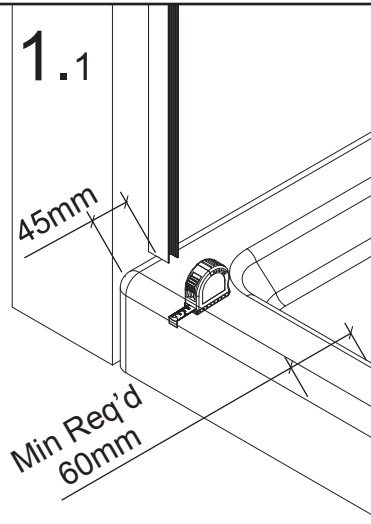
Please read these instructions carefully before starting the installation.
 Special care should be taken when drilling walls to avoid hidden pipes or electrical cables.
 Note: This product is heavy and may require two people to install.



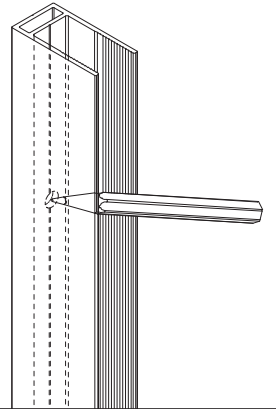
1



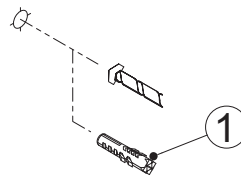
1.1



1.2

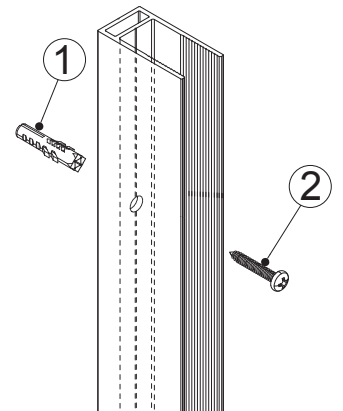


1.3

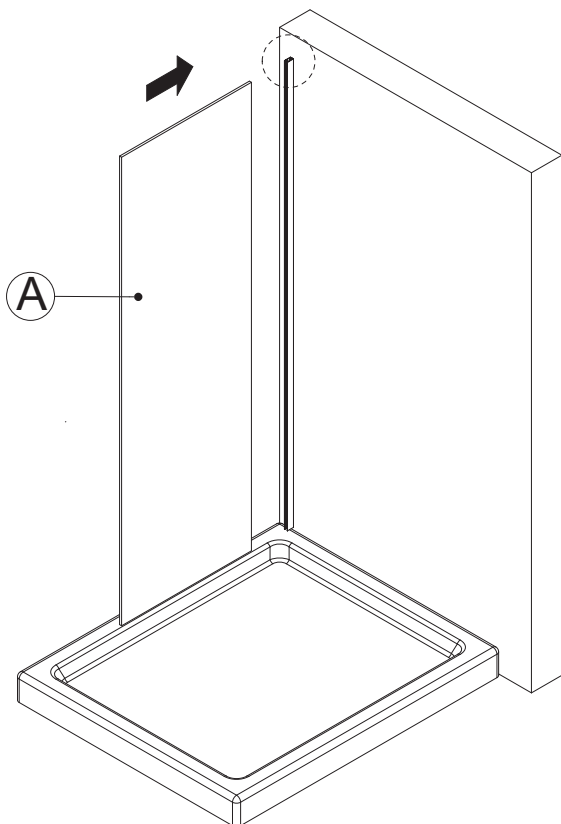


6mm dia. holes with
drill bit suitable for
wall surface

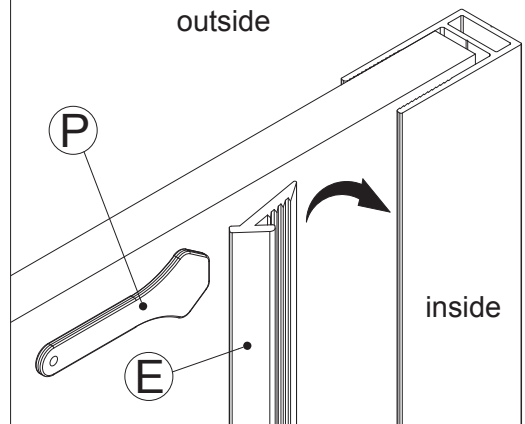
1.4



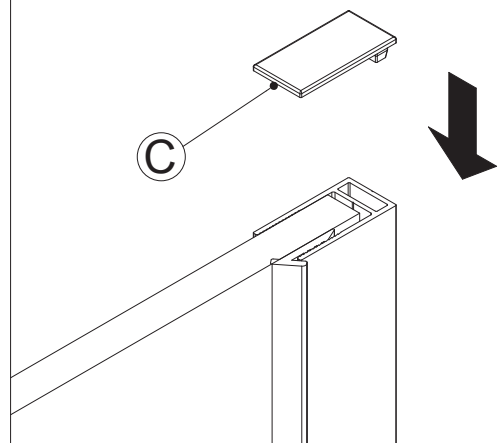
2



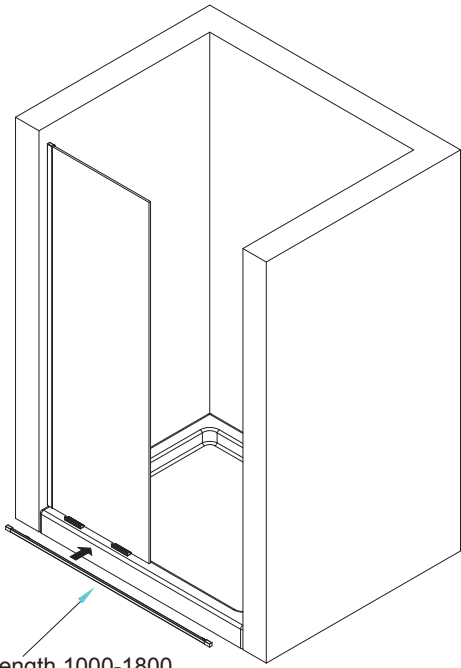
2.1



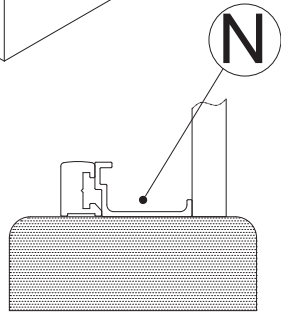
2.2



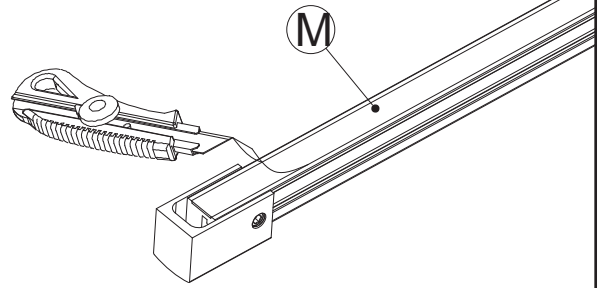
3



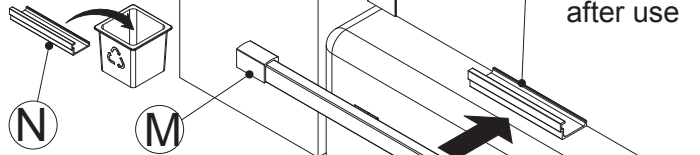
cut to length 1000-1800



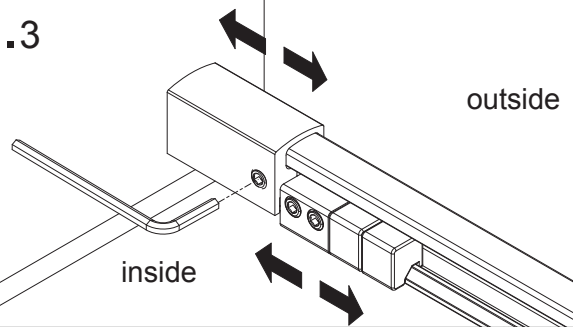
3.1



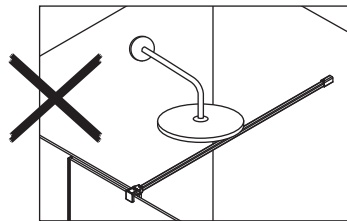
3.2



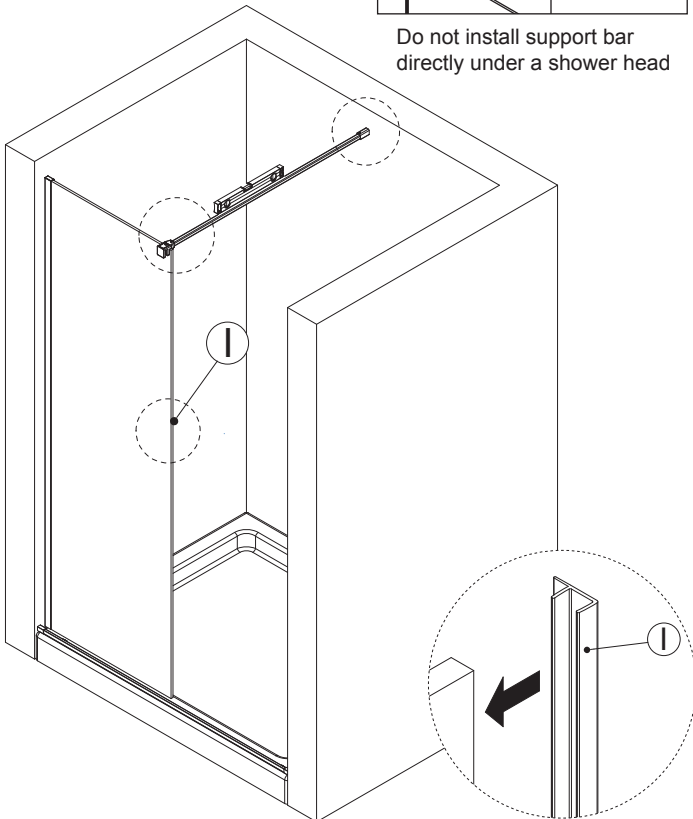
3.3



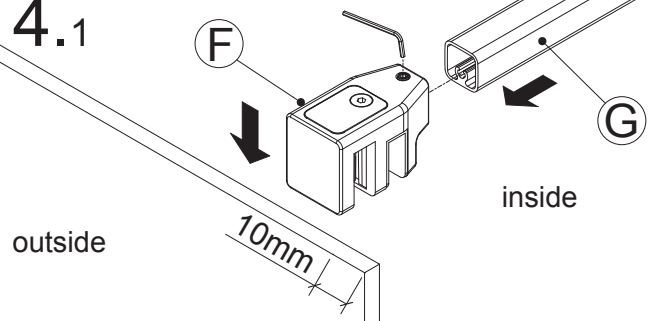
4



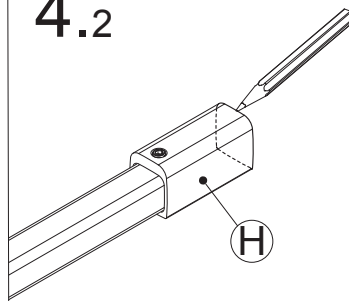
Do not install support bar directly under a shower head



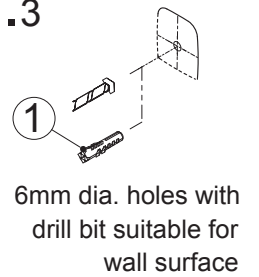
4.1



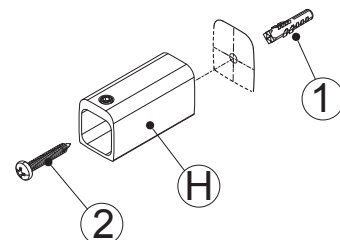
4.2



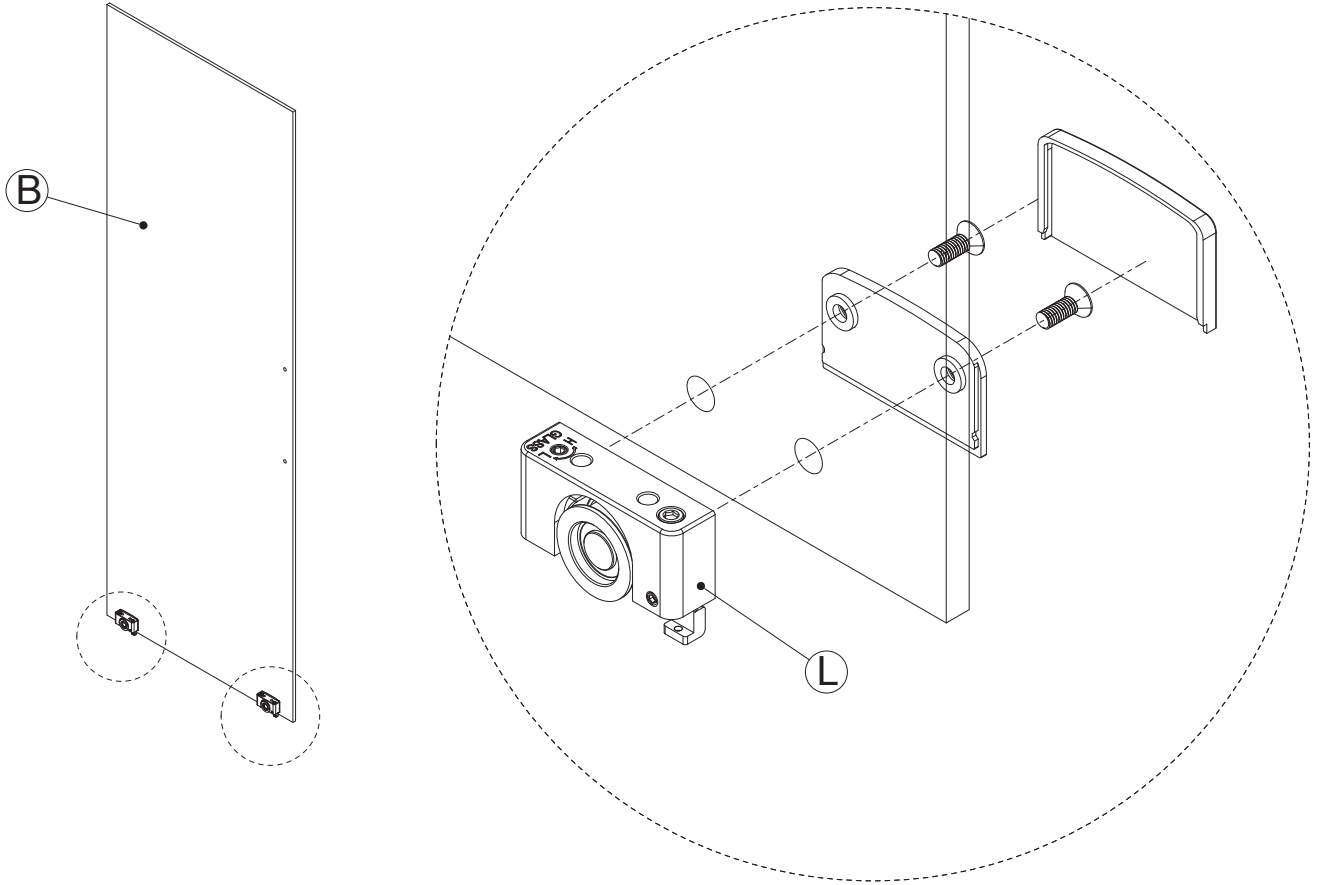
4.3



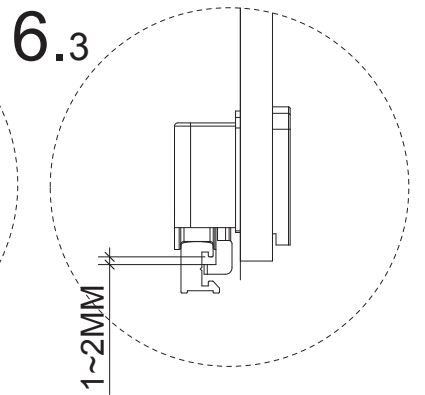
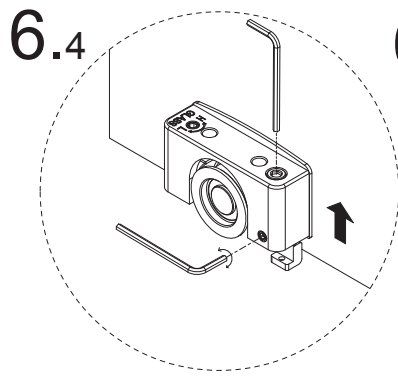
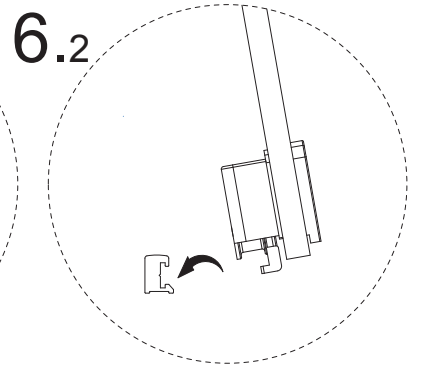
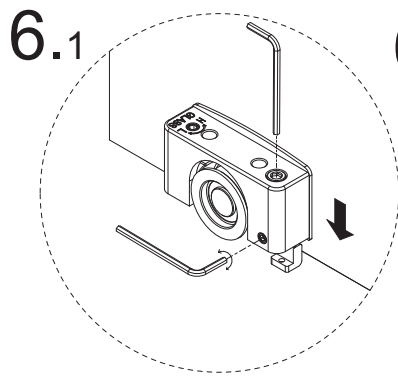
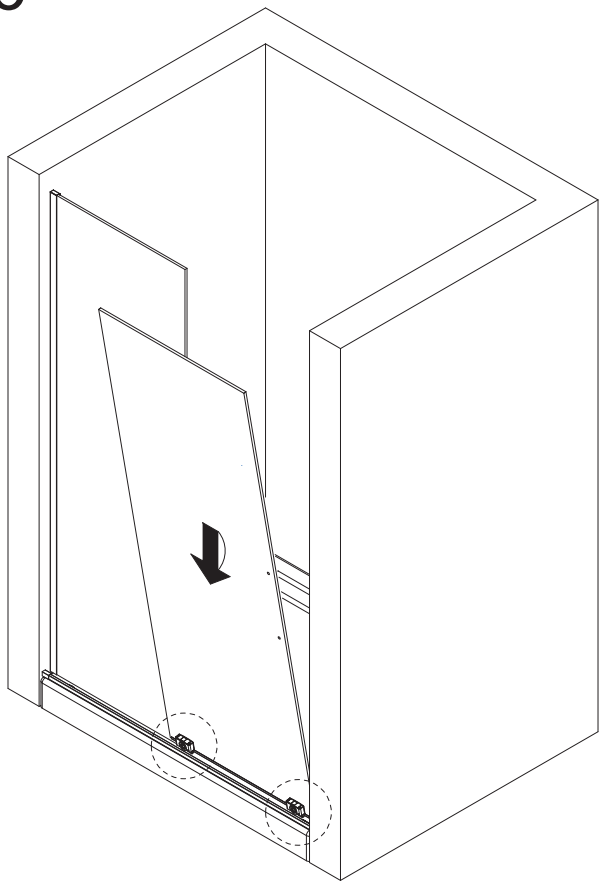
4.4



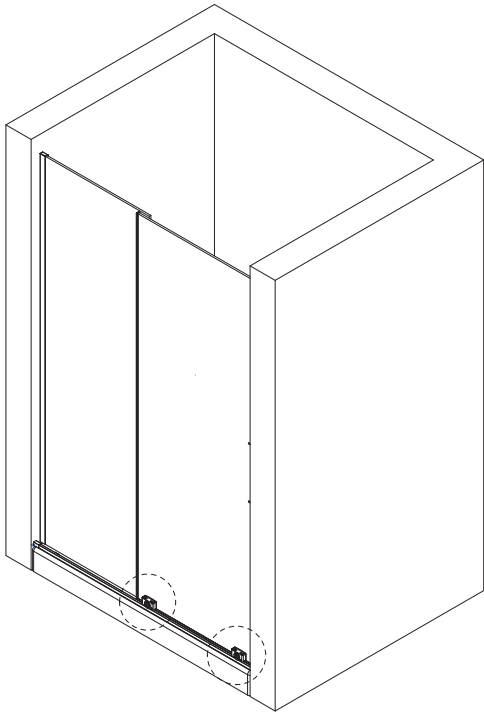
5



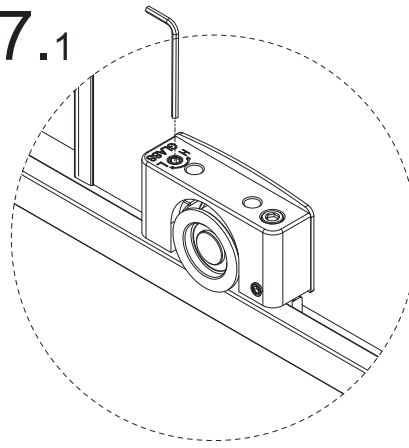
6



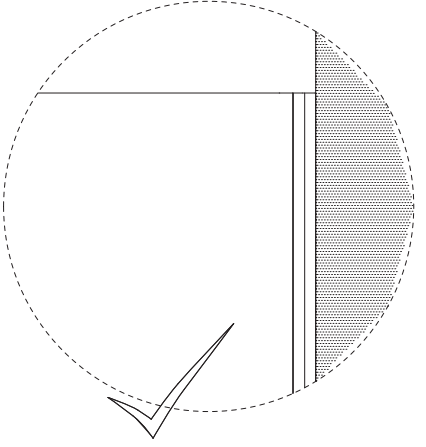
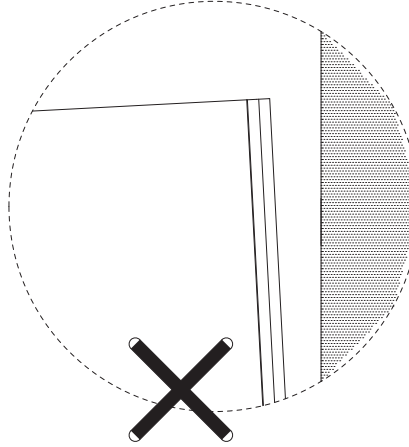
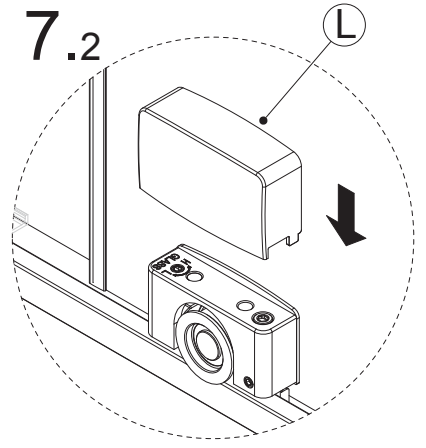
7



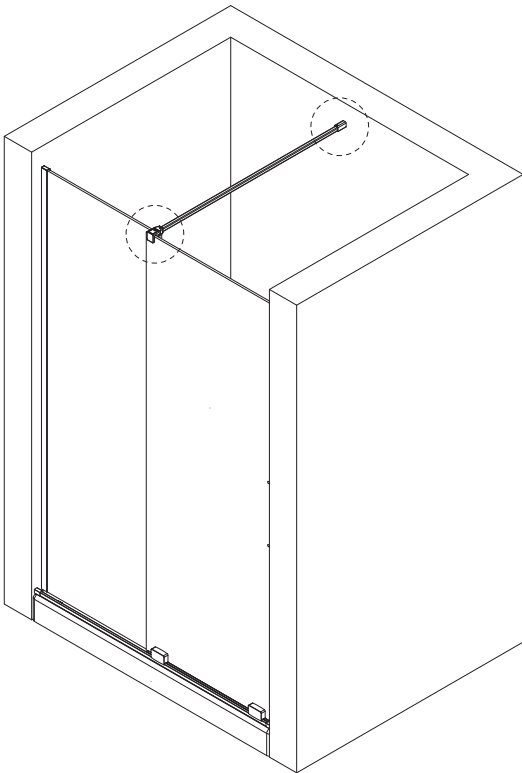
7.1



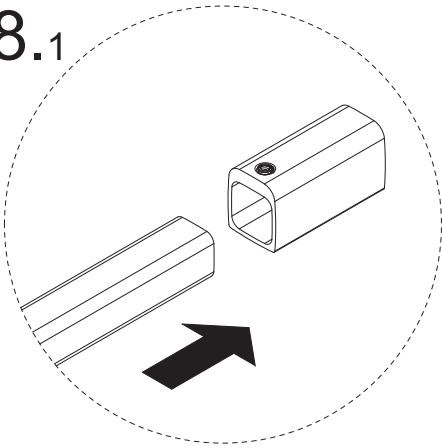
7.2



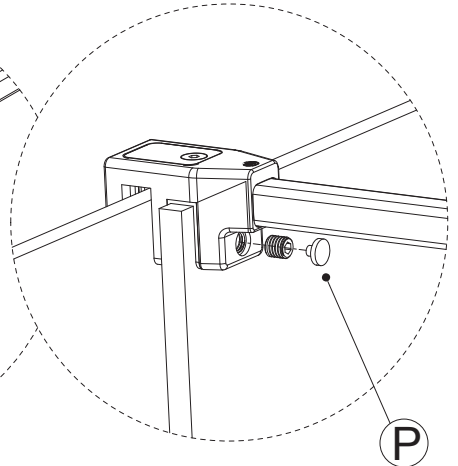
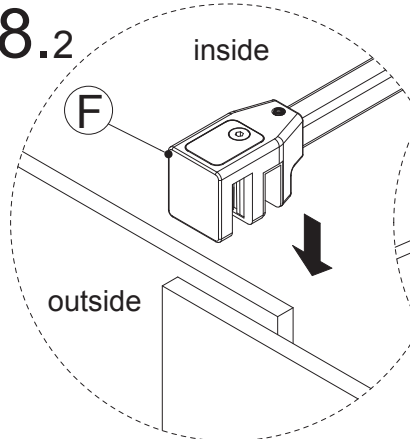
8



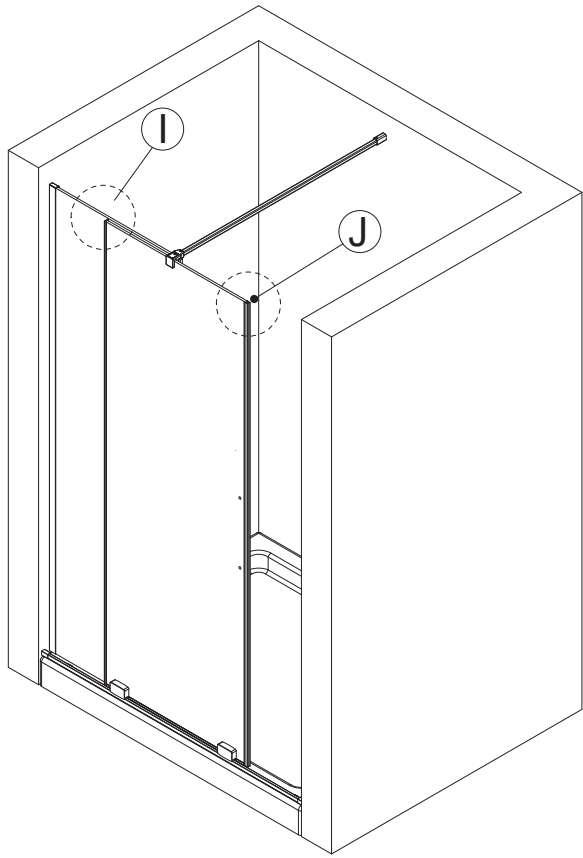
8.1



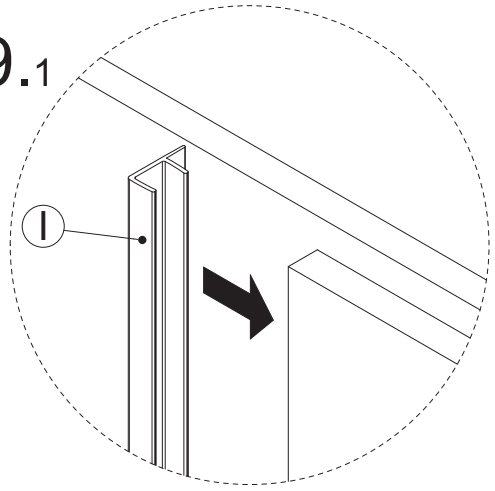
8.2



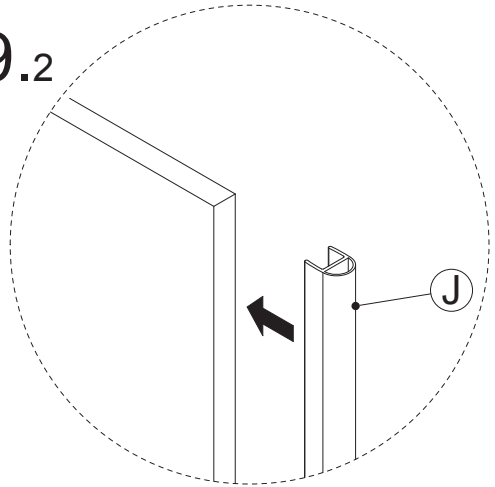
9



9.1



9.2



10

