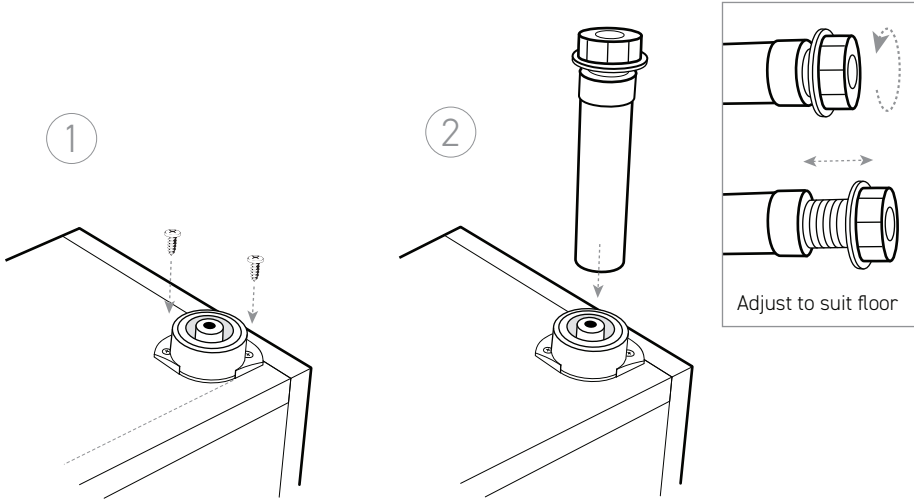


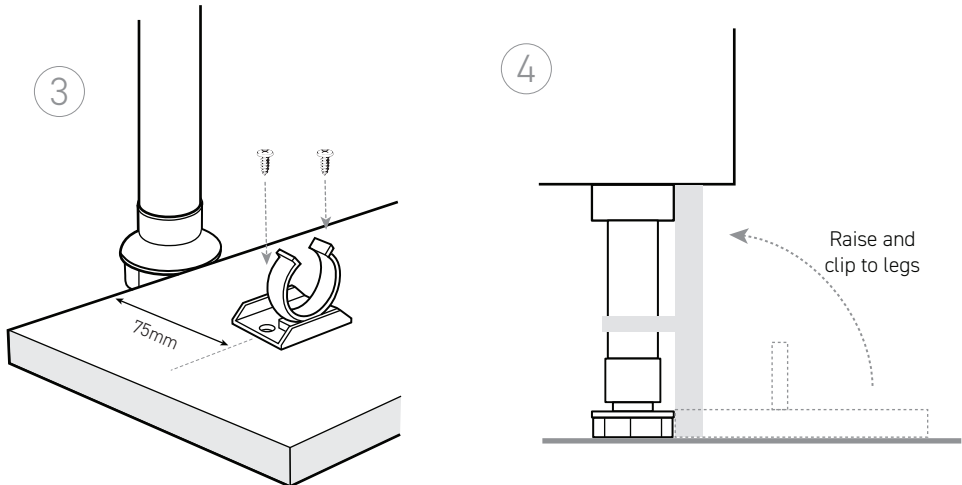


**FITTED FURNITURE**  
ASSEMBLY INSTRUCTIONS

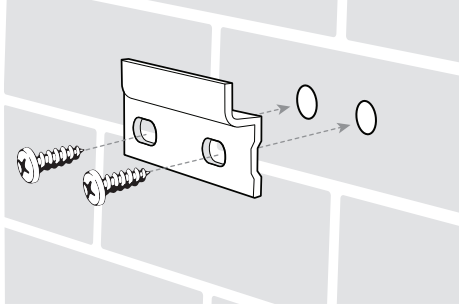
## Leg & Plinth Assembly



### PLINTH - Fitting

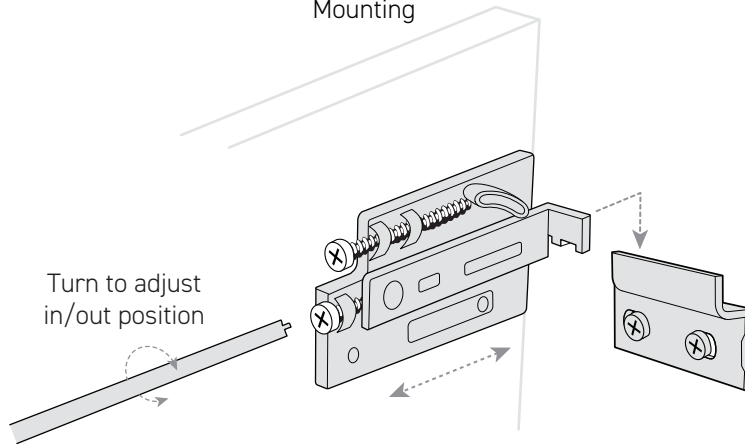


## Wall Fixings & Levelling

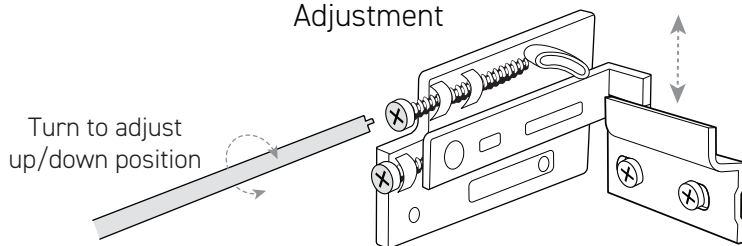


Drill, plug & fix using suitable wall fixings

### Mounting



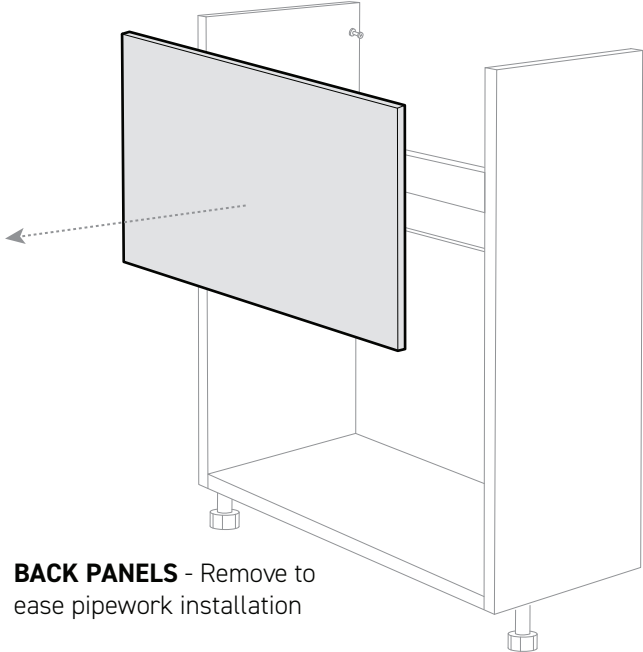
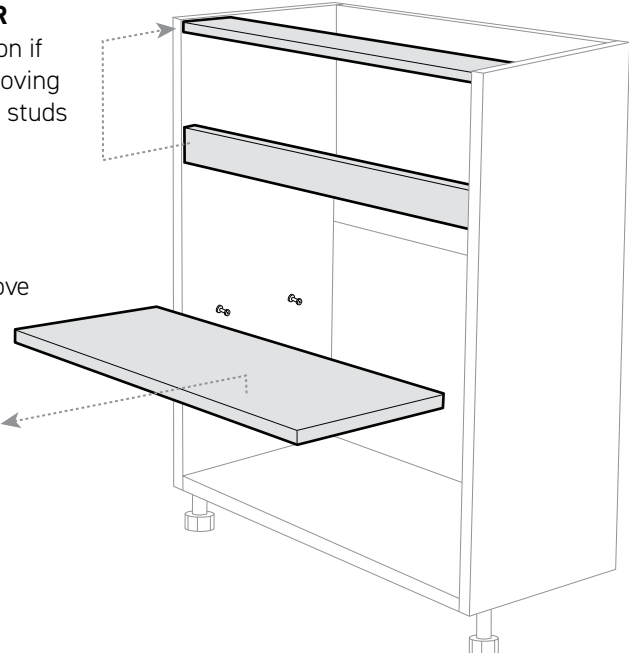
### Adjustment



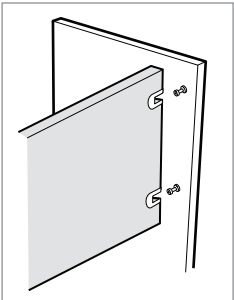
# Door Units

**BRACING BAR**  
Change location if required by moving Bracing Bar & studs

**SHELF** - Remove

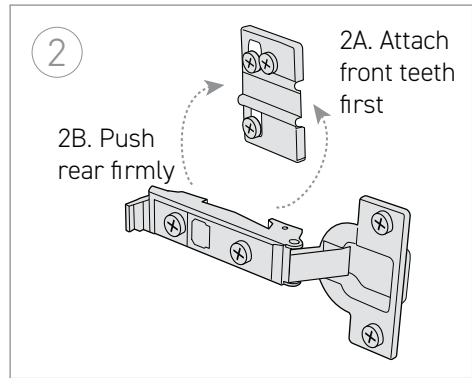
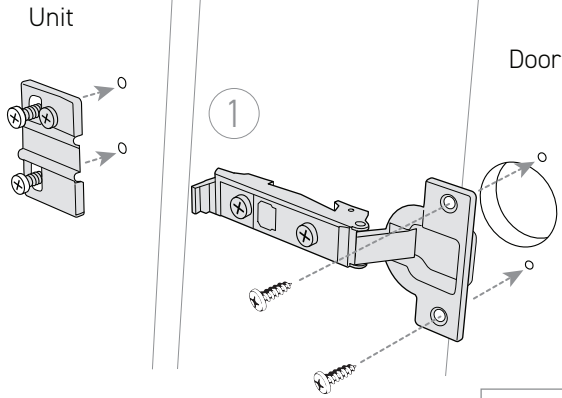


**BACK PANELS** - Remove to ease pipework installation

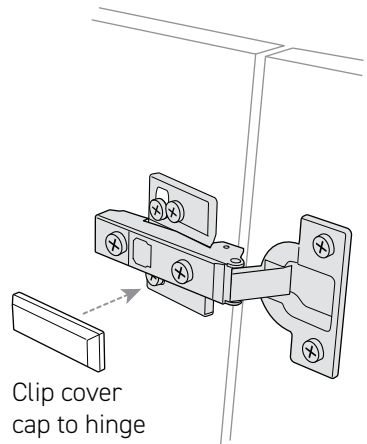
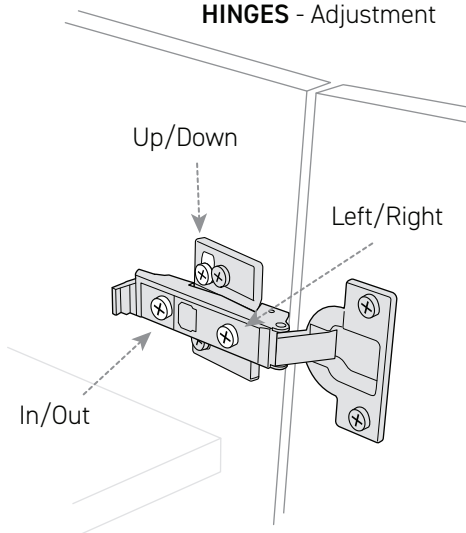


REAR VIEW

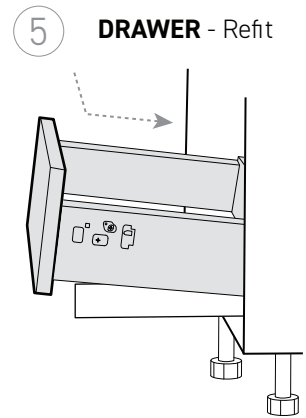
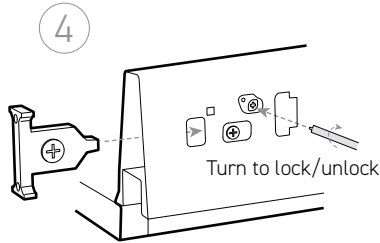
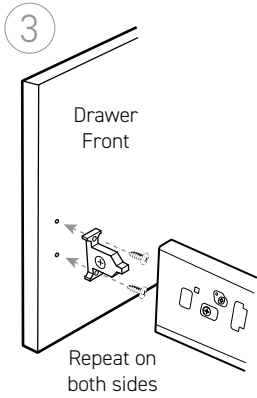
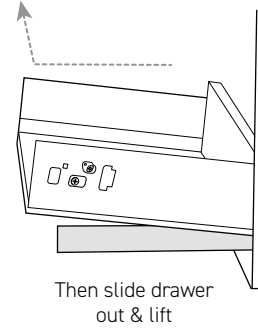
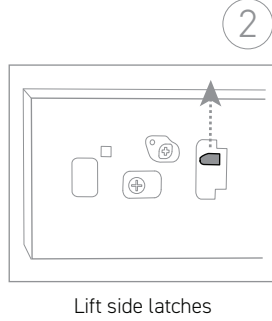
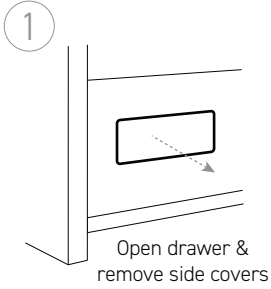
## HINGES - Fitting



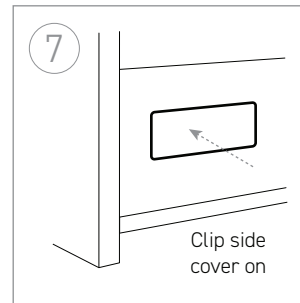
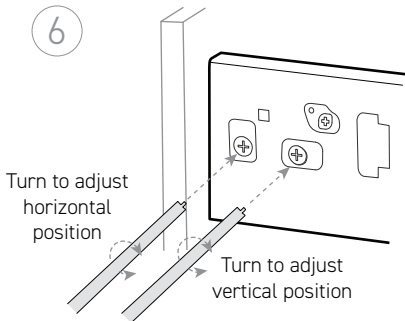
## HINGES - Adjustment



# Drawer Assembly

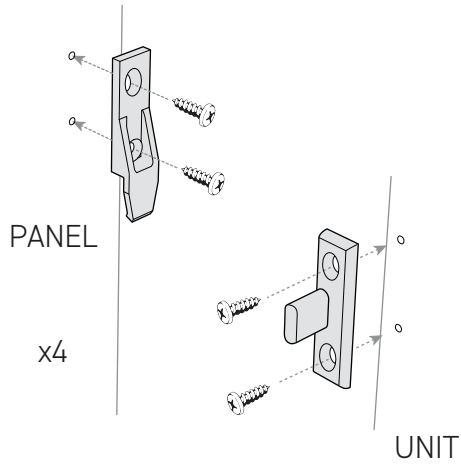


## **DRAWER - Adjustment**

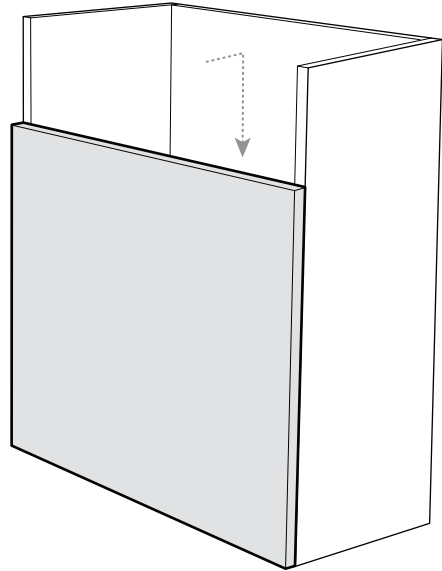


# Back to Wall Units

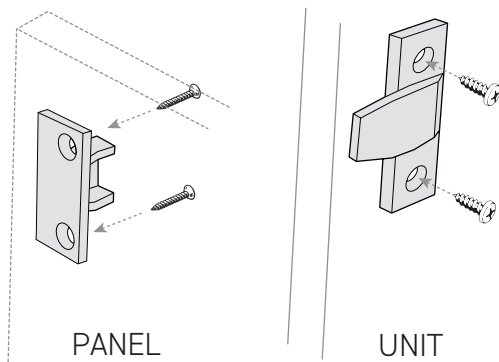
**LOWER PANEL CLIPS - Fitting**



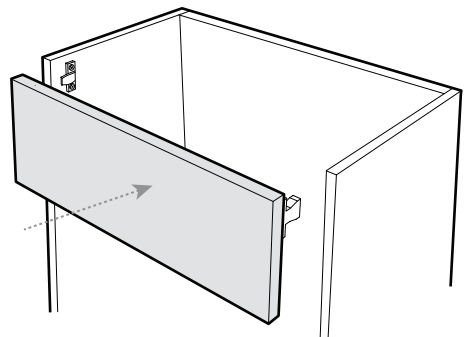
**LOWER FASCIA PANEL - Attach**



**UPPER PANEL CLIPS - Fitting**



**UPPER FASCIA PANEL - Attach**



## Basin Units

Apply sealant  
before fitting basin

