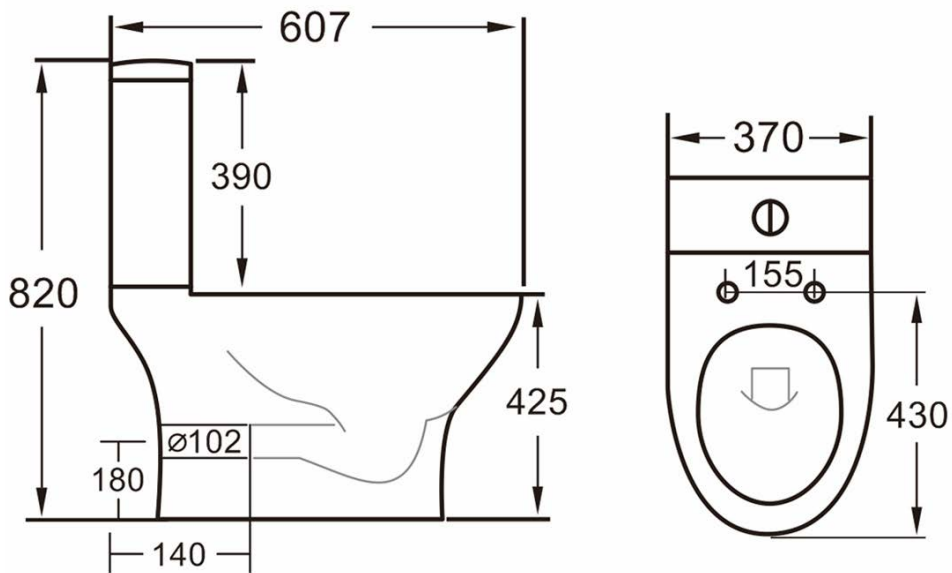


Range: Sanitaryware
Type: Sima Open Back WC
Code: SI047
Version/Date: v1 04/23



Information:
3/6L Flush
Soft Close Seat
Quick Release Seat
Comfort Height
Short Projection

Finishes:



Glass

Guarantee/Aftercare: During installation extra care must be taken to avoid damaging the fittings. We provide a guarantee against faulty manufacture or materials (excluding serviceable parts), providing they have been installed, cared for and used in accordance with our instructions and good plumbing practice.

Phoenix Whirlpools Ltd. Unit 8, Leeds 27 Industrial Estate, Bruntcliffe Ave. Morley, Leeds LS27 0LL

Tel: 0113 201 2260 Email: sales@phoenix-uk.com Web: www.phoenix-uk.com