

◆ General Information

Please inspect the product immediately upon receipt for transit damage, missing packs/parts or manufacturing fault. Damage reported later cannot be accepted. Please handle the product with care avoiding knocks and shock loading to all sides and edges of the glass.

We recommend that this product is installed on a solid wall surface to reduce the risk of excess movement on the wall channel.

Notes: Safety glass can not be re-worked.

Please read these instructions carefully before start of installation.

Special care should be taken when drilling walls to avoid hidden pipes or electrical cables.

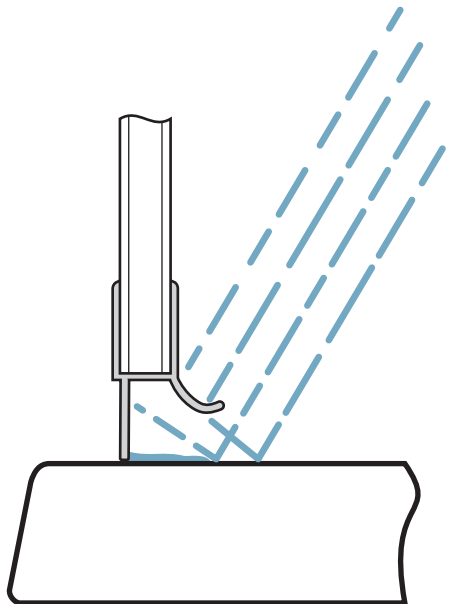
Note: This product is heavy and may require two people to install.

Aftercare instructions

After use, your shower should be cleaned with soap and water. This is particularly important in hard water districts where insoluble lime salts may be deposited and allowed to build up. Cleaners of a gritty or abrasive nature should not be used. Care should be taken to avoid contact with strong chemicals such as organic solvents and strippers.

Over time, silicone sealants will perish - we recommend that this is replaced as and when required.

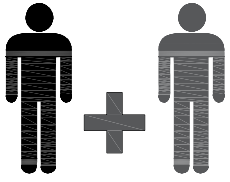
Please keep these instructions for aftercare and customer service details.



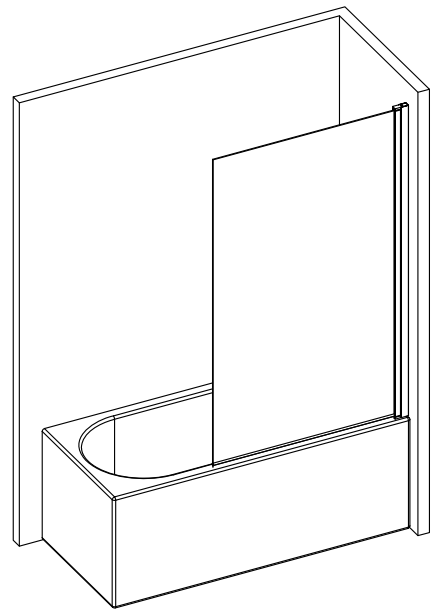
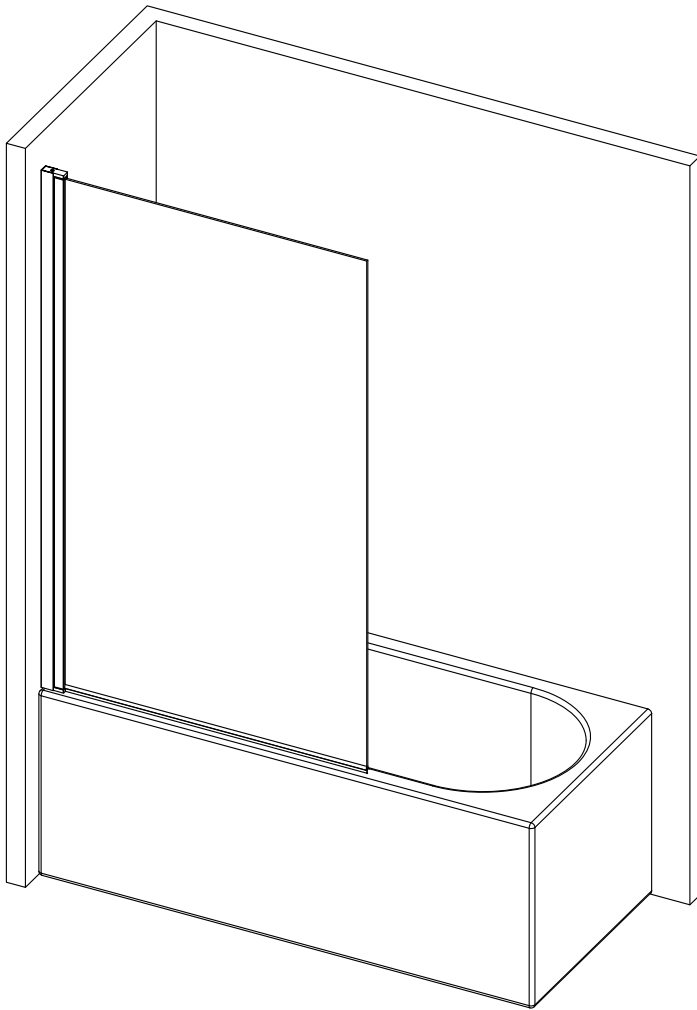
BATH SCREENS

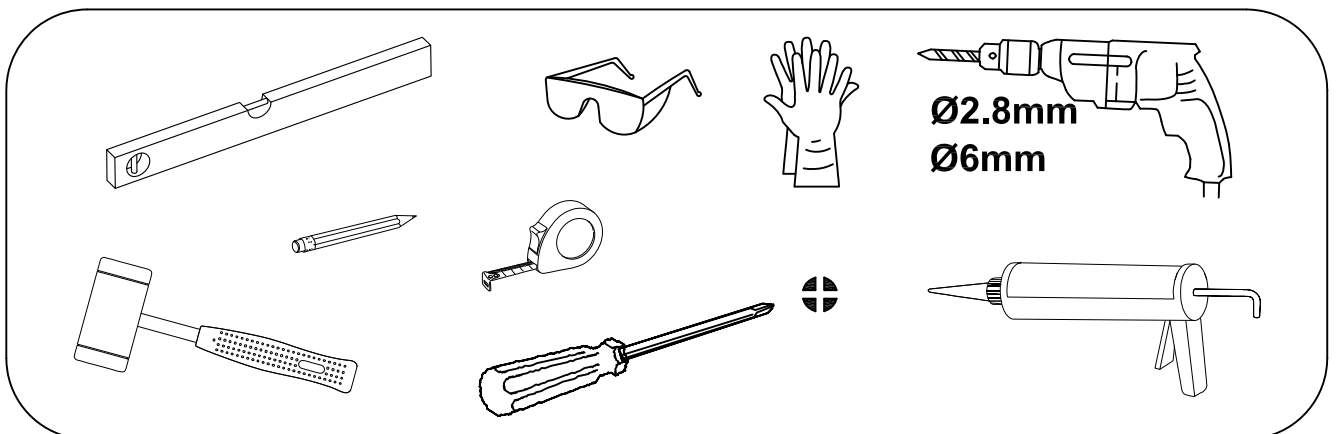
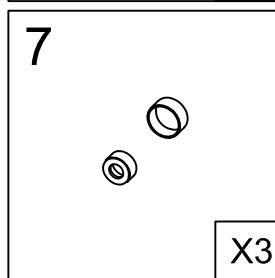
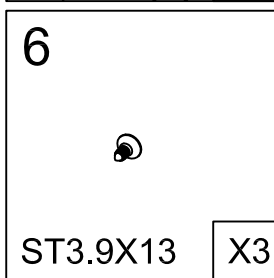
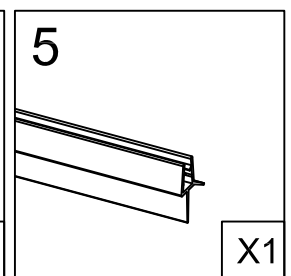
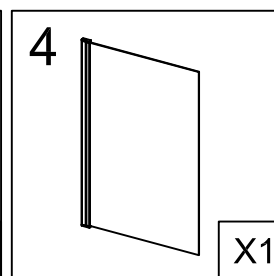
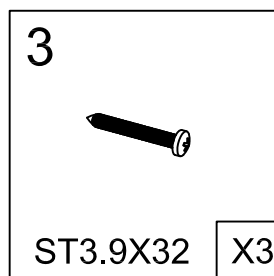
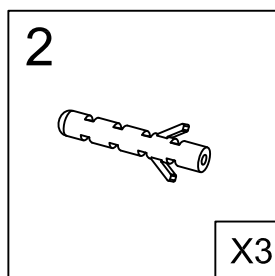
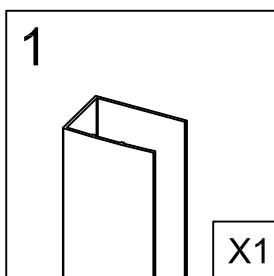
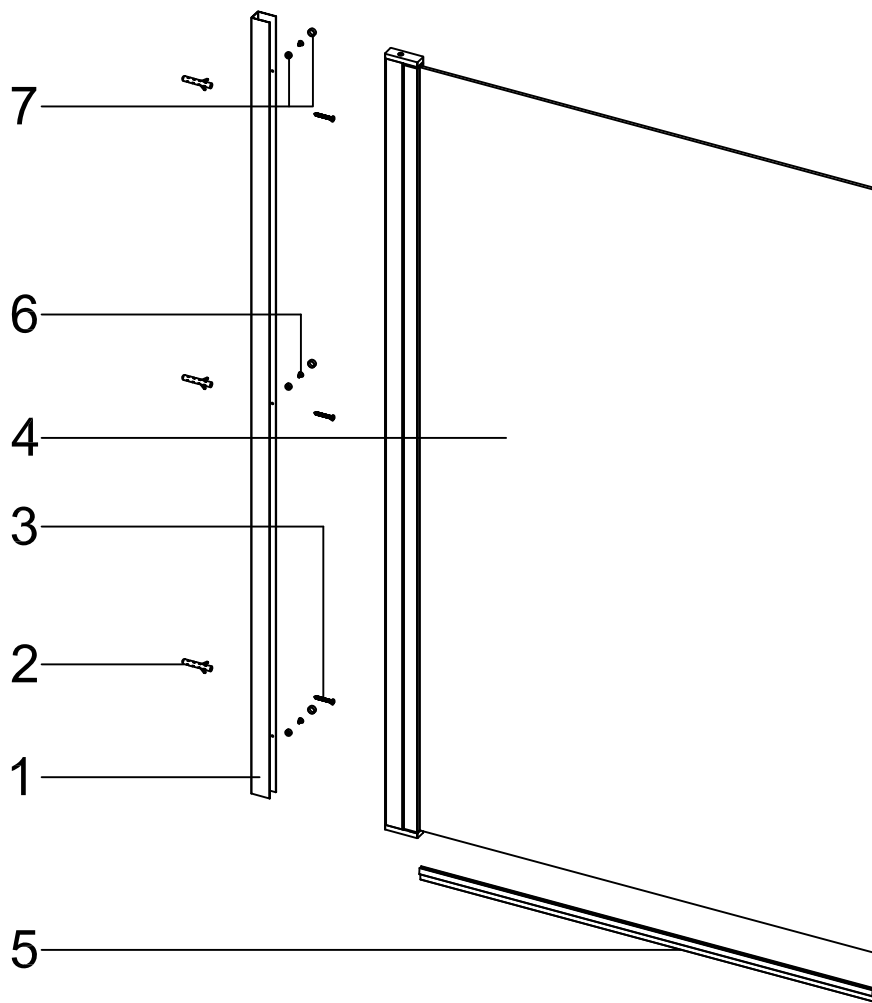
It is important to remember that water will find it's way naturally. This is a physical law that we cannot change. Our frameless bath screens are designed as a deflector for water to try and reduce the chance of water escaping from the showering area over a bath during normal showering conditions.

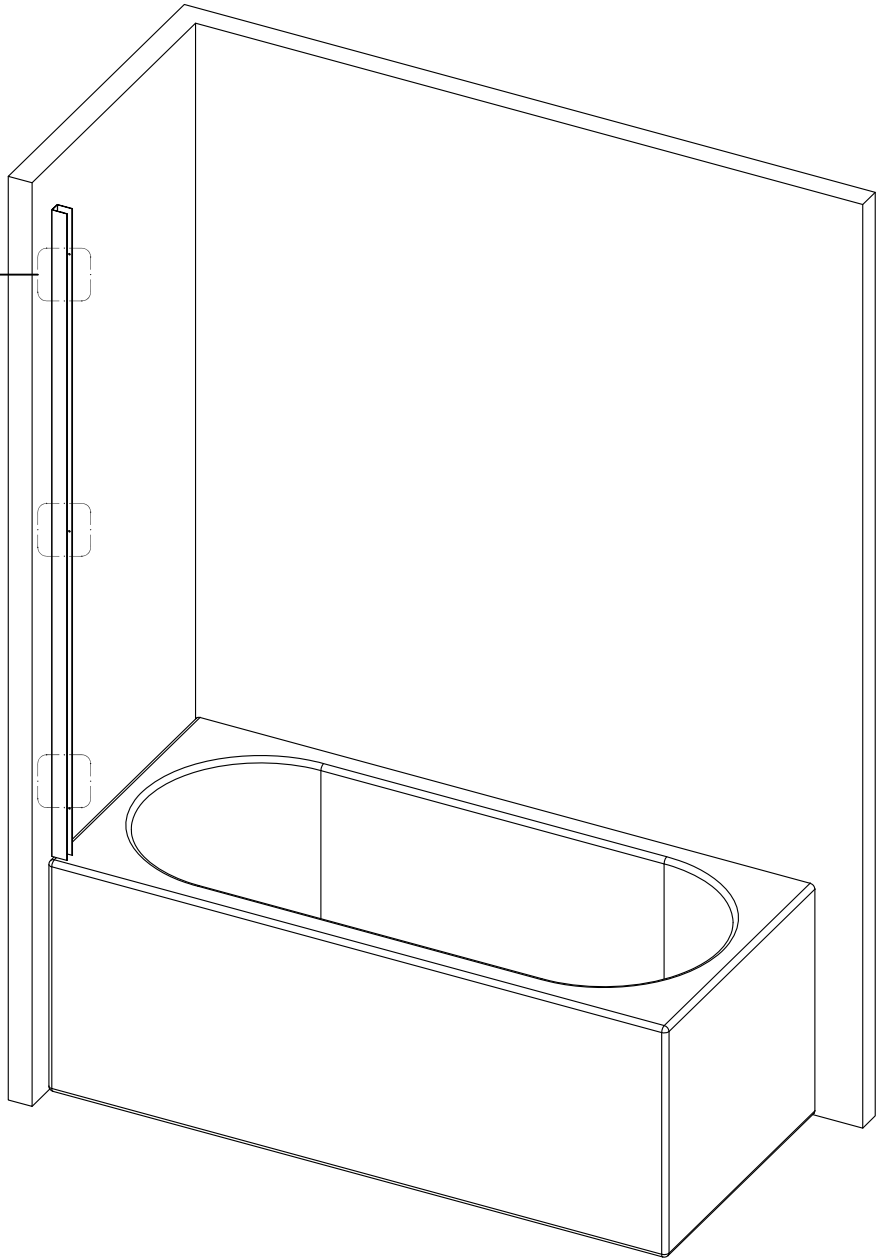
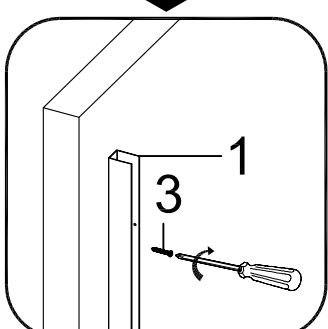
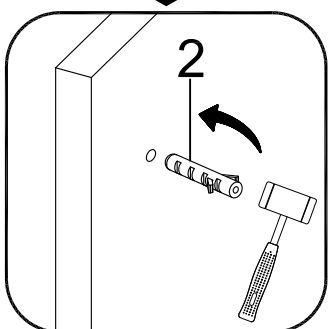
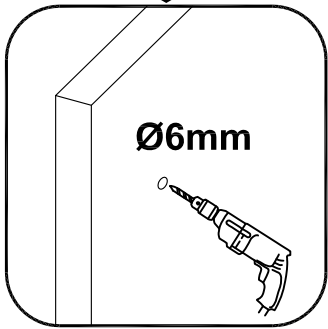
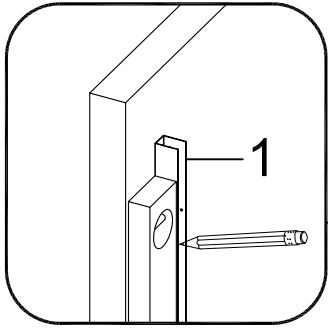
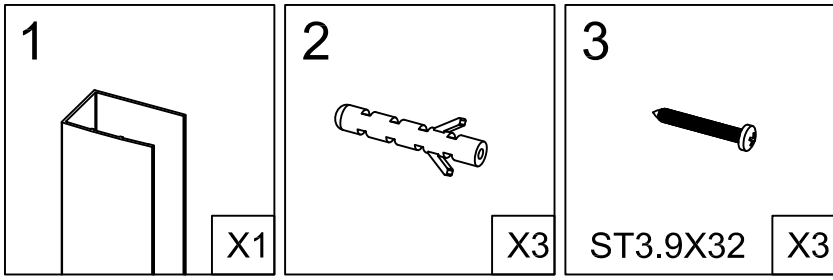
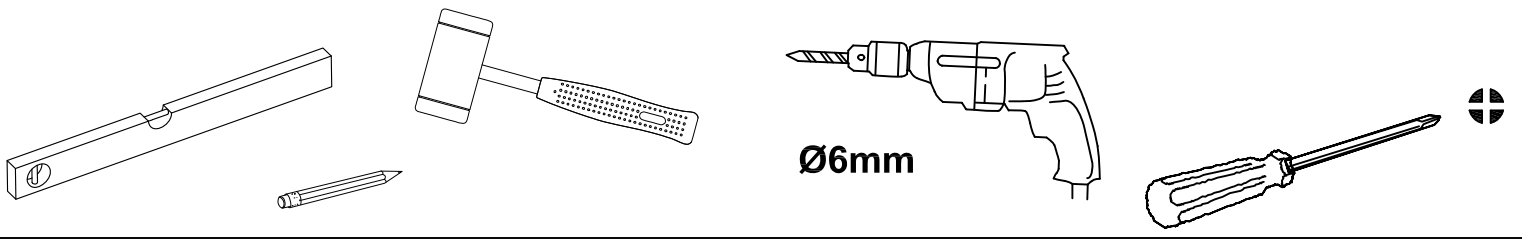
A frameless bath screen has a hinged mechanism, and a seal that sits directly on the rim of the bath. When water is allowed to infiltrate or is directly aimed at the hinge and seal, there is a possibility that water will pass through this area and escape from the showering area of the bath. The chance of water escaping, under normal showering conditions, is reduced due to the majority of the water hitting the person showering and only spray and splashes of water actually hit the screen itself. This does not render the item faulty, but is a characteristic of this nature of product.

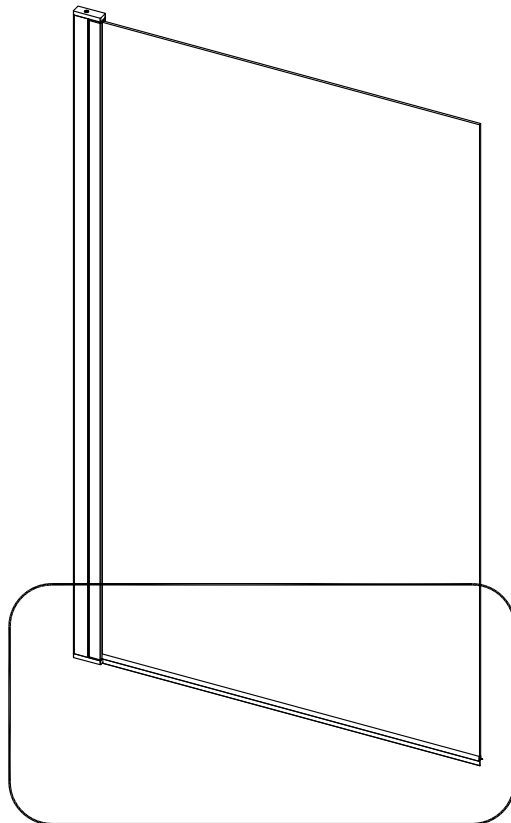
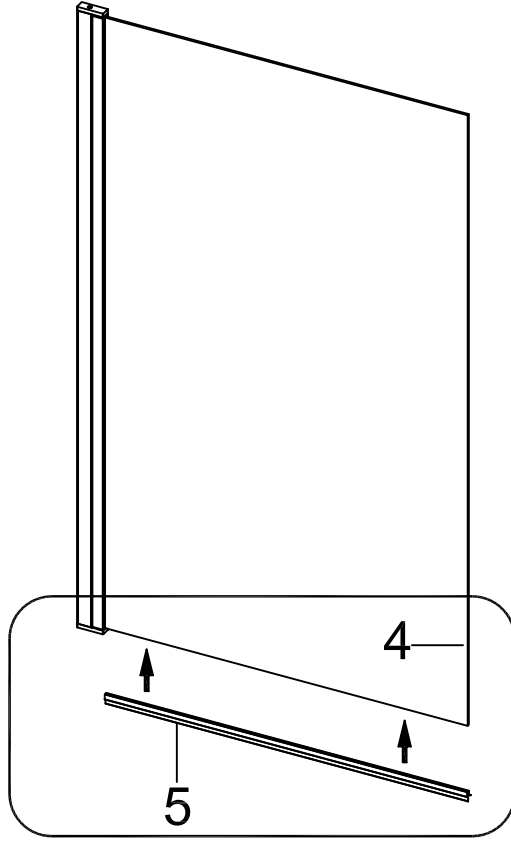
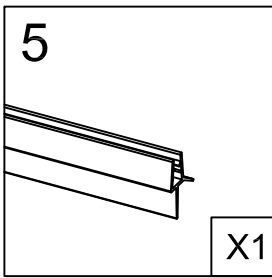
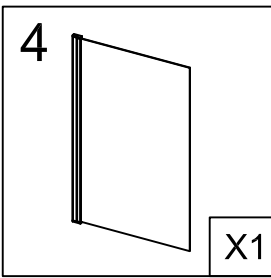


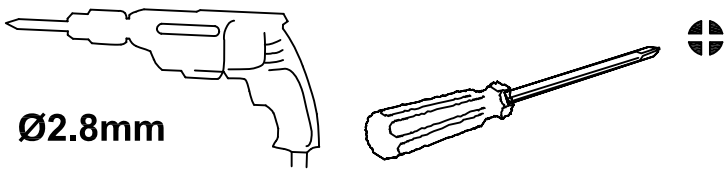
S10001



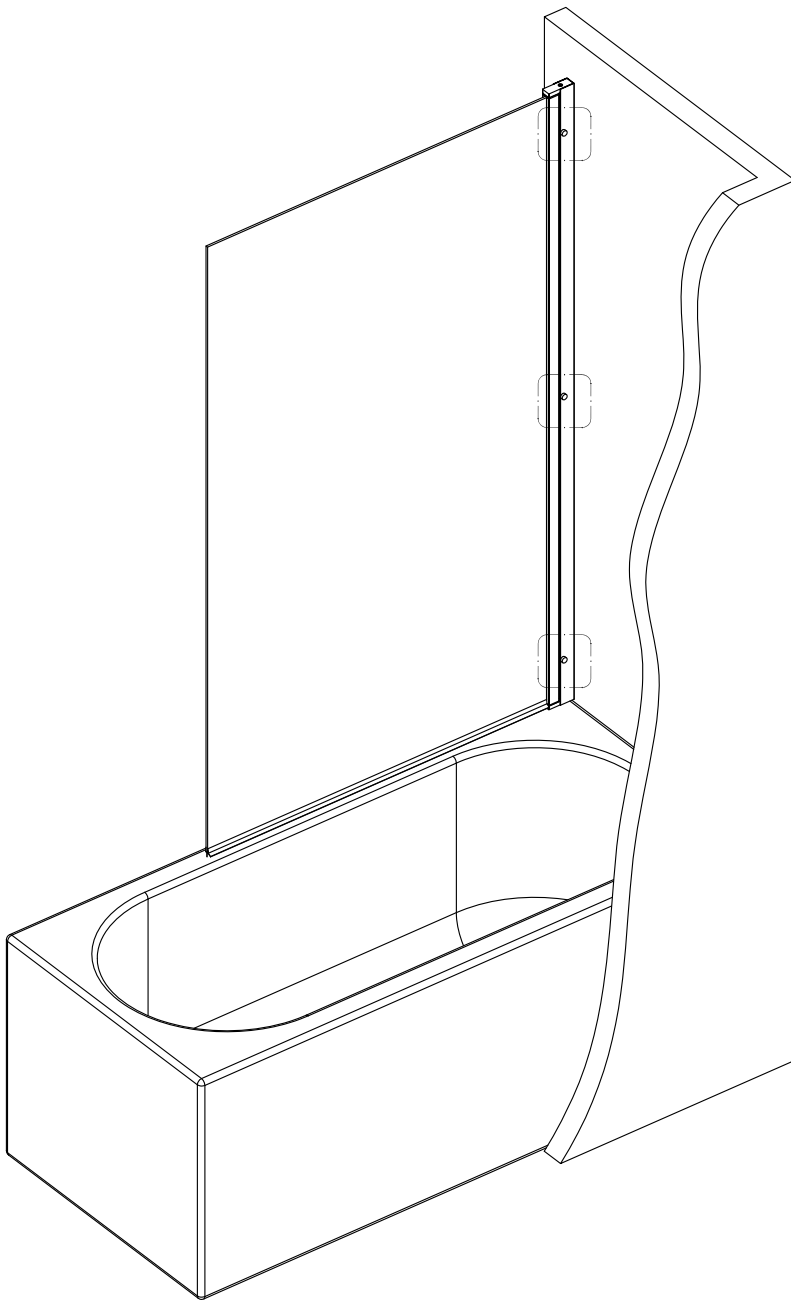
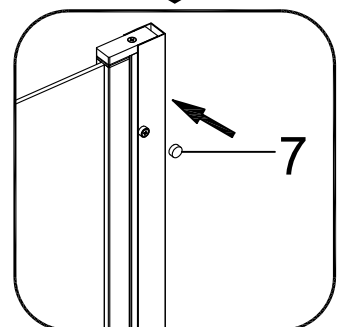
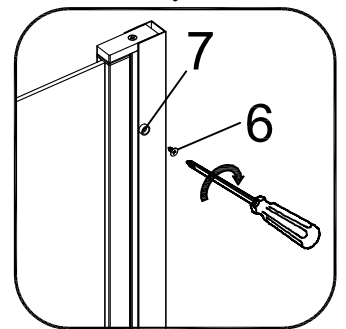
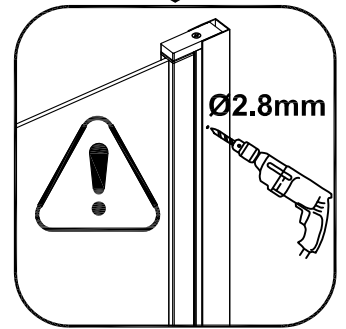
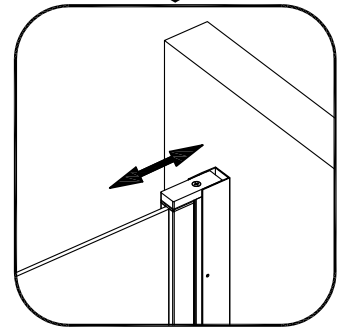
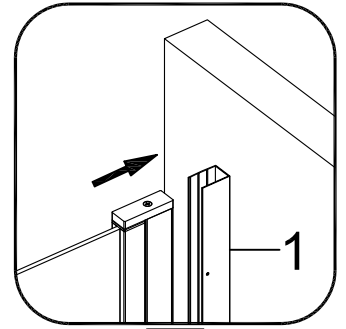
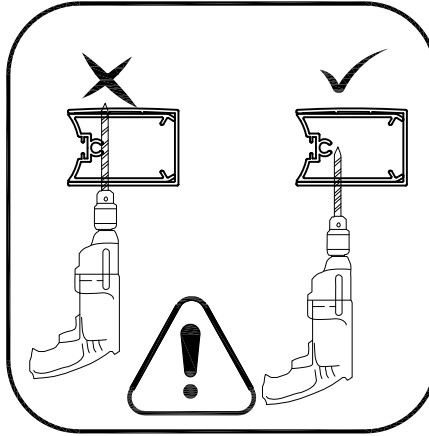
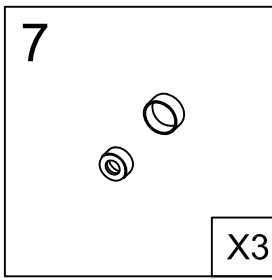
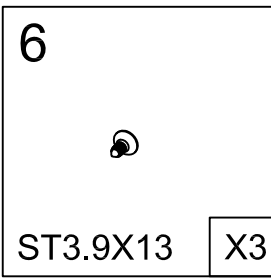


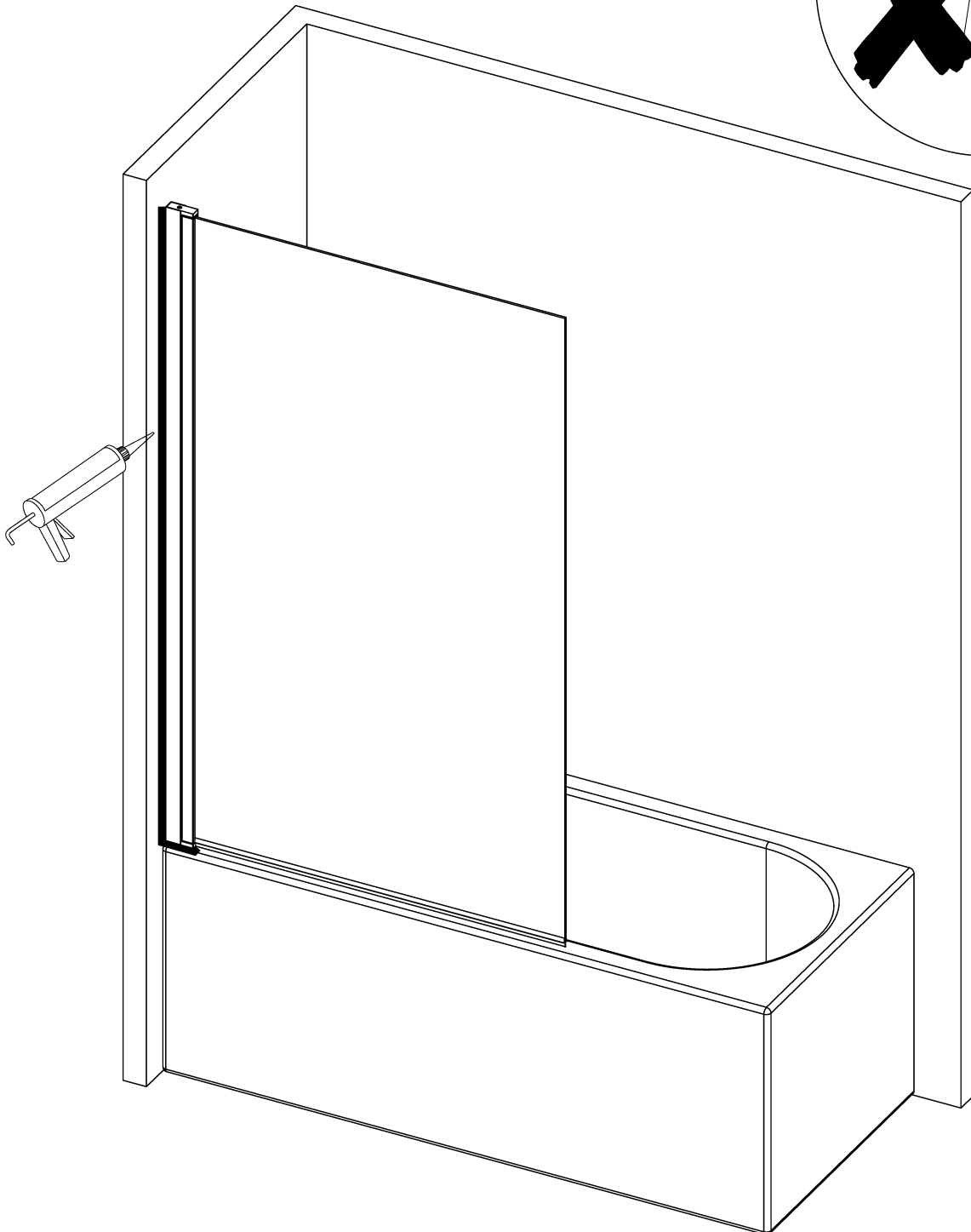
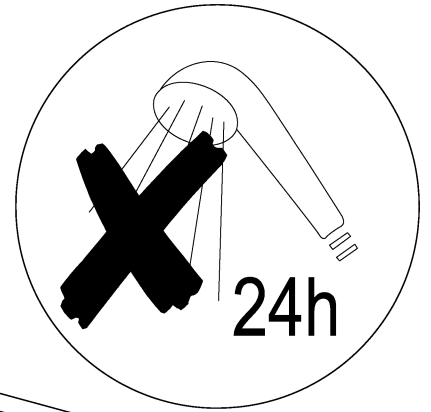
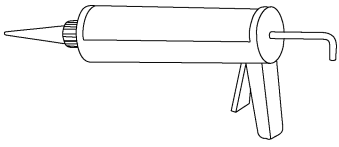






Ø2.8mm





Silicone on the outside of the unit as and where required.

