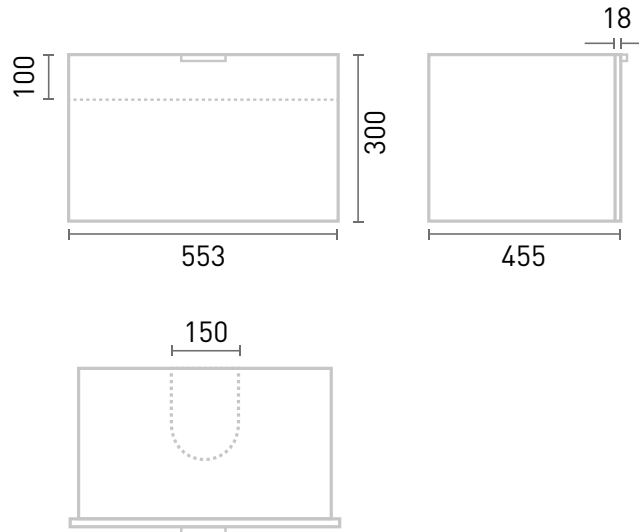
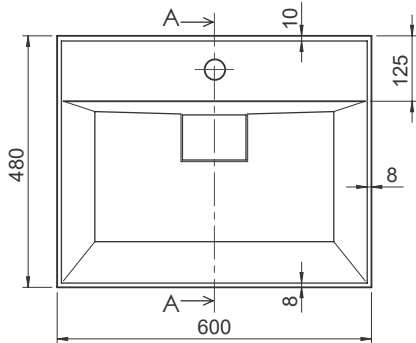
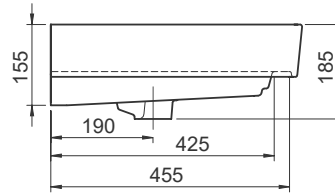
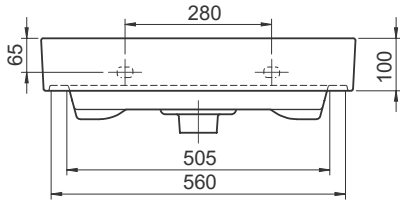


Range: Furniture

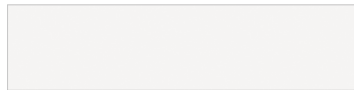
Type: Sharp 60 Wall Mounted Unit & Ceramic Basin

Code: N150106 N150206 N150306 N150406 N150506 N150706

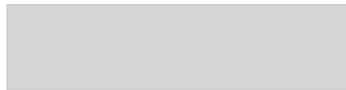
Version/Date: v1 06/21



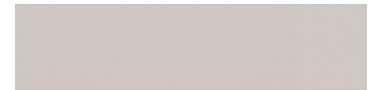
Gloss Finishes



Gloss White

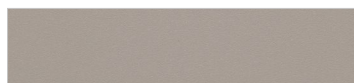


Dove Grey Gloss

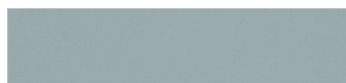


Cashmere Gloss

Matt Finishes



Stone Matt



Matt Fern



Matt Graphite

Guarantee/Aftercare: During installation extra care must be taken to avoid damaging the fittings. We provide a guarantee against faulty manufacture or materials (excluding serviceable parts), providing they have been installed, cared for and used in accordance with our instructions and good plumbing practice.

Phoenix Whirlpools Ltd. Unit 8, Leeds 27 Industrial Estate, Bruntcliffe Ave. Morley, Leeds LS27 0LL

Tel: 0113 201 2260 Email: sales@phoenix-uk.com Web: www.phoenix-uk.com

Notes: Drawings may not be to scale. All dimensions in mm unless otherwise stated. Information correct at time of printing but subject to change at any time.