

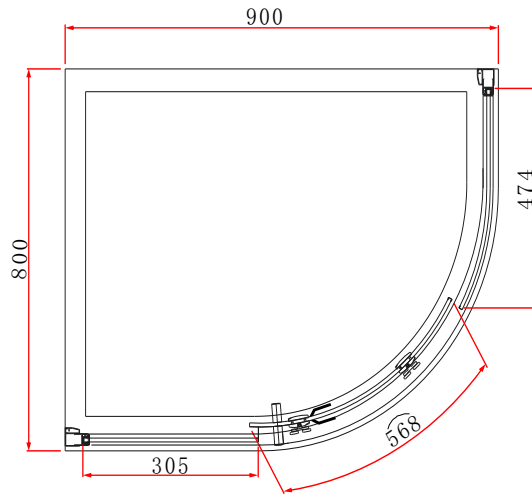
Range: Shower Enclosures

Type: Konnex Quadrants

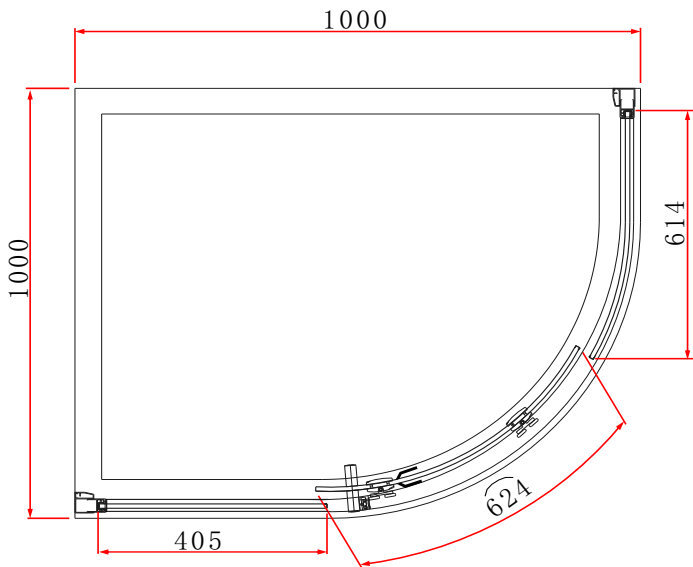
Code: EN055 EN056 EN057 EN058 EN059 EN060 EN061

Version/Date: v1 04/21

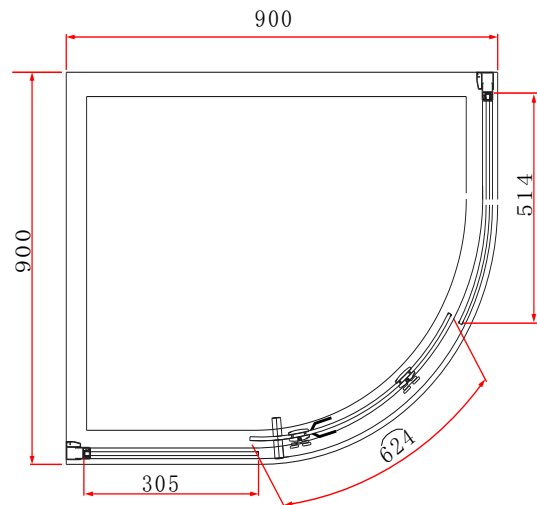
EN055



EN056



EN057



Information:

- Reversible design
- Concealed fixings
- 20mm adjustment
- Shower tray/wetroom

- Magnetic door seal
- Polished aluminium frame
- 8mm Safety Glass
- Easyclean protection
- Lifetime guarantee

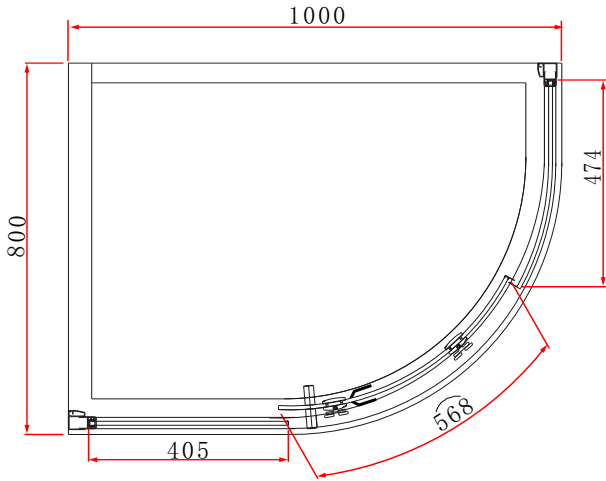
Finishes:

Guarantee/Aftercare: During installation extra care must be taken to avoid damaging the fittings. We provide a guarantee against faulty manufacture or materials (excluding serviceable parts), providing they have been installed, cared for and used in accordance with our instructions and good plumbing practice.

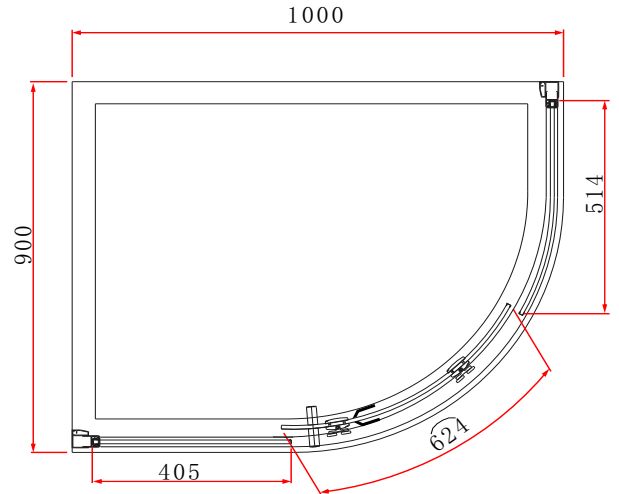
Phoenix Whirlpools Ltd. Unit 8, Leeds 27 Industrial Estate, Bruntcliffe Ave. Morley, Leeds LS27 0LL

Tel: 0113 201 2260 Email: sales@phoenix-uk.com Web: www.phoenix-uk.com

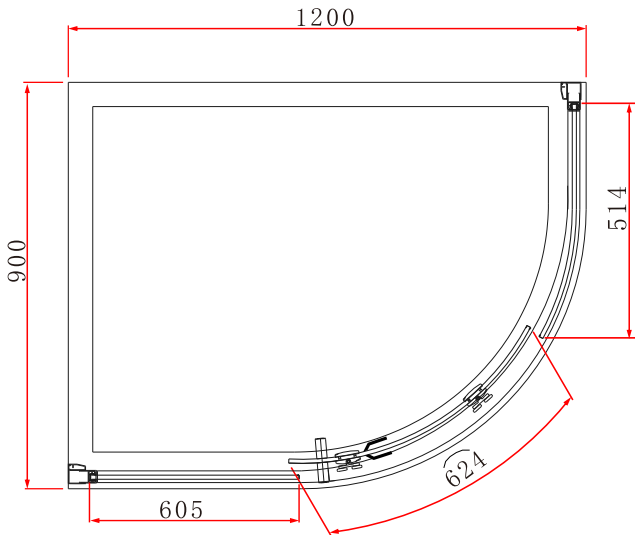
EN058



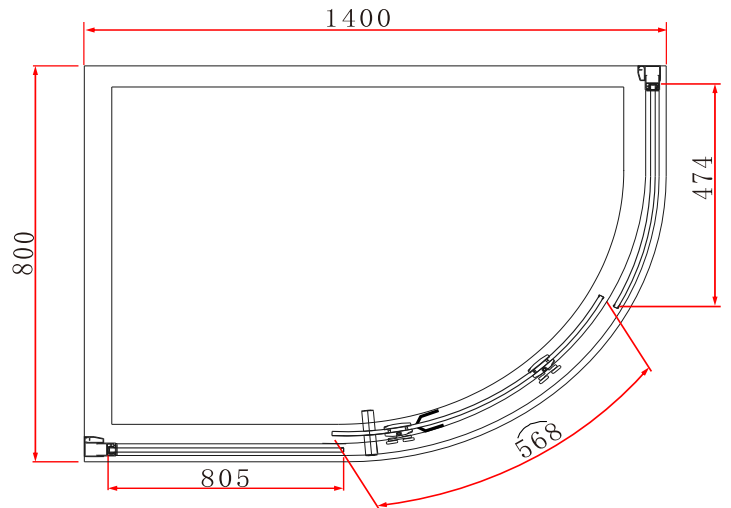
EN059



EN060



EN061



Guarantee/Aftercare: During installation extra care must be taken to avoid damaging the fittings. We provide a guarantee against faulty manufacture or materials (excluding serviceable parts), providing they have been installed, cared for and used in accordance with our instructions and good plumbing practice.

Phoenix Whirlpools Ltd. Unit 8, Leeds 27 Industrial Estate, Bruntcliffe Ave. Morley, Leeds LS27 0LL
 Tel: 0113 201 2260 Email: sales@phoenix-uk.com Web: www.phoenix-uk.com

Notes: Drawings may not be to scale. All dimensions in mm unless otherwise stated. Information correct at time of printing but subject to change at any time.