

Phoenix

DESIGNED FOR YOU

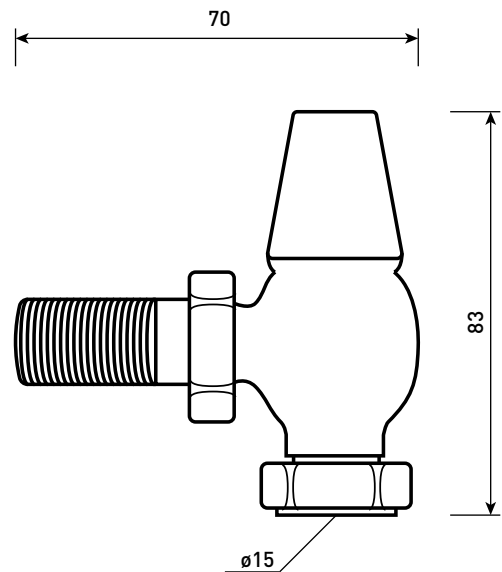
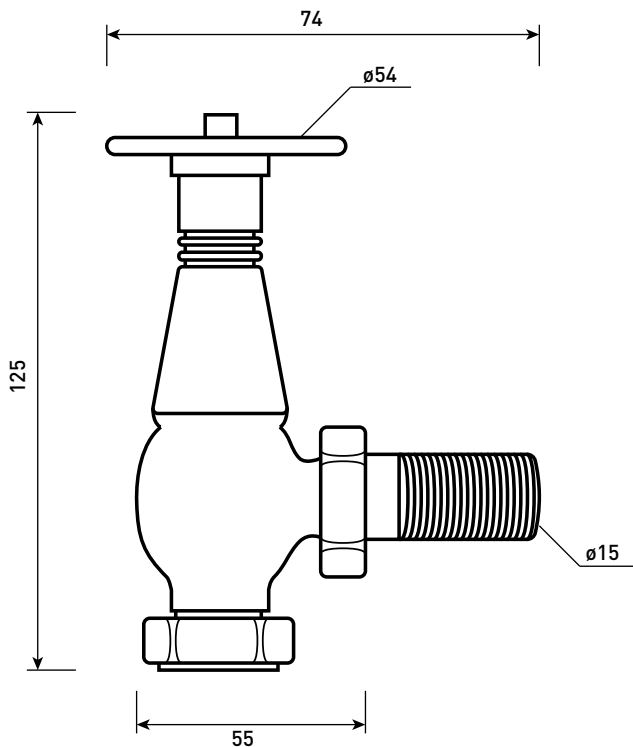
Technical Data Sheet

Range: Radiators Valves

Type: Oxford

Code: VA020

Version/Date: v2 07/19



Information:

The valves are not bi-directional and should be fitted to the flow side.

Max working pressure: 10bar

Max pressure differential: 1bar

Max water temp 100°C

Max ambient temp 50°C

Temp adjustment 12°C - 30°C

Guarantee/Aftercare: During installation extra care must be taken to avoid damaging the fittings. We provide a guarantee against faulty manufacture or materials (excluding serviceable parts), providing they have been installed, cared for and used in accordance with our instructions and good plumbing practice.

Finishes:



Chrome

Phoenix Whirlpools Ltd. Unit 8, Leeds 27 Industrial Estate, Bruntcliffe Ave. Morley, Leeds LS27 0LL

Tel: (Sales) +44 (0)113 2012260 Fax: +44 (0)113 2012268 Email: sales@phoenix-uk.co.uk Web: www.phoenix-uk.co.uk

Notes: Drawings may not be to scale. All dimensions in mm unless otherwise stated. Information correct at time of printing but subject to change at any time.