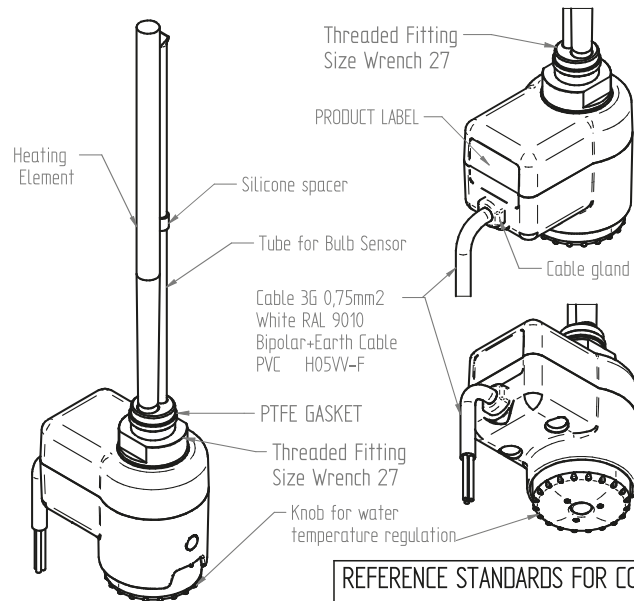


Phoenix

DESIGNED FOR YOU

FITTING GUIDE

Range: Heating
 Type: Thermostatic Heating Element
 Code: RAE012 013 014
 Version/Date: v2 07/18



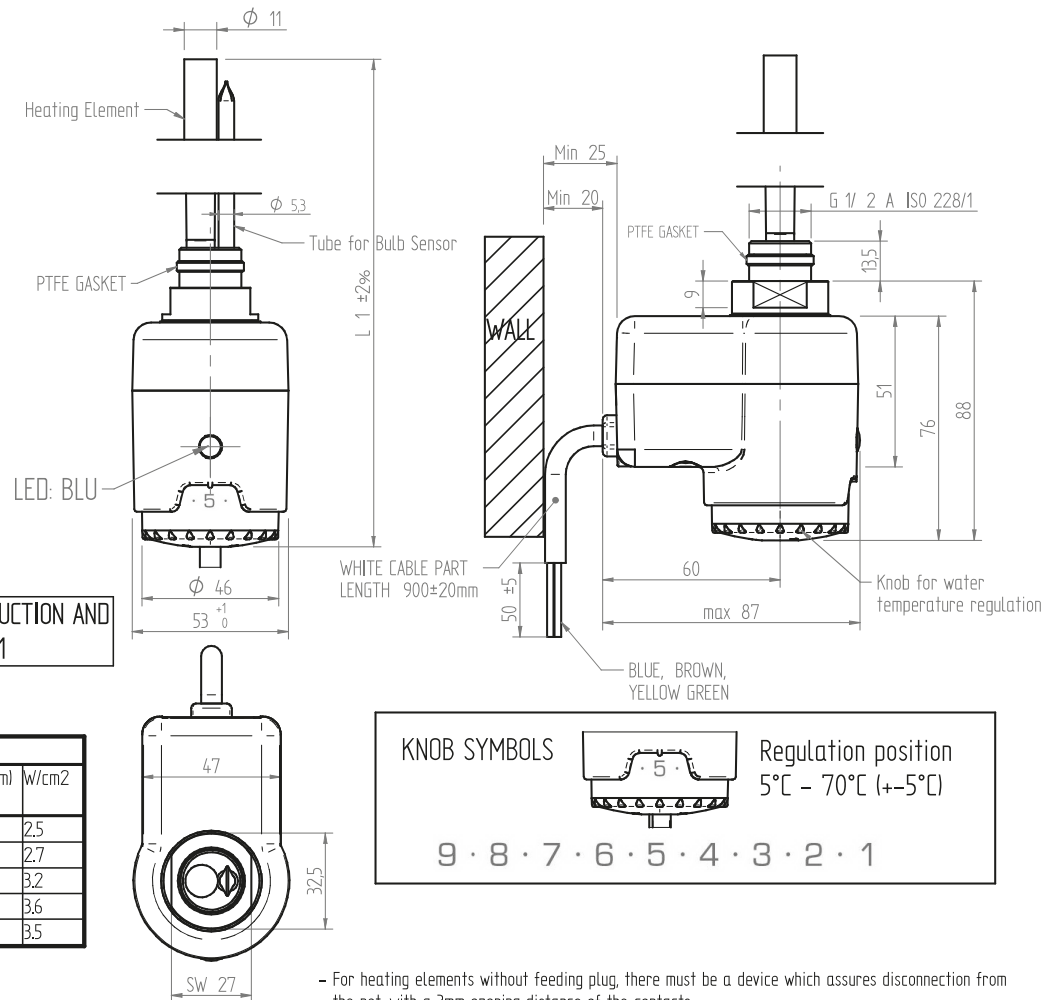
- INSULATION: CLASS I
- EXIT CABLE: PVC CABLE 3G (WITHOUT PLUG) 950mm LONG
- Degree of protection provided by enclosure: IPX4

REFERENCE STANDARDS FOR CONSTRUCTION AND ELECTRICAL TESTING: CEI EN 60335-1

Technical Features						
PRODUCT CODE	DESCRIPTION	Voltage (V)	POWER (W) @100°C	Tolerance on Power	L1 (mm)	w/cm2
1EYSVM015000	MOEBIUS CHROME 150W CL1	230	150	+-35%	370	2.5
1EYSVM030000	MOEBIUS CHROME 300W CL1	230	300	+-35%	500	2.7
1EYSVM060000	MOEBIUS CHROME 600W CL1	230	600	+-35%	750	3.2
1EYSVM080000	MOEBIUS CHROME 800W CL1	230	800	+-35%	850	3.6
1EYSVM050000	MOEBIUS CHROME 500W CL1	230	500	+-35%	600	3.5

APPLICATION

- Heating element only for use in a towel rail filled with water or water and glycol mixture.
- Assembly: the heater must be assembled vertically from the bottom to the top of the towel rail.
- Do not alter any of the factory fitted electric connections. The substitution of electric connections is not admitted.
- In the case of any damage to the electric connections, the heater must be sent back to the supplier or to its quality service.



KNOB SYMBOLS

Regulation position
5°C - 70°C (+/-5°C)

9 · 8 · 7 · 6 · 5 · 4 · 3 · 2 · 1

- For heating elements without feeding plug, there must be a device which assures disconnection from the net, with a 3mm opening distance of the contacts.
- Residual current circuit breaker (RCCD) should be fitted in line with the current IEE regulations.
- Maximum heating element surface temperature: 100°C.
- Un-installation: after disconnecting, the product must not be reused. Replace the product with a new one.

Phoenix Whirlpools Ltd. Unit 8, Leeds 27 Industrial Estate, Bruntcliffe Avenue, Morley, Leeds LS27 0LL

Tel: (Sales) +44 (0)113 2012260 Fax: +44 (0)113 2012268 Email: sales@phoenix-uk.co.uk Web: www.phoenix-uk.co.uk

Guarantee/Aftercare: During installation extra care must be taken to avoid damaging the fittings. We provide a guarantee against faulty manufacture or materials (excluding serviceable parts), providing they have been installed, cared for and used in accordance with our instructions and good plumbing practice. Notes: Drawings may not be to scale. All dimensions in mm unless otherwise stated. Information correct at time of printing but subject to change at any time.

Phoenix

DESIGNED FOR YOU

FITTING GUIDE

Range:	Heating
Type:	Thermostatic Heating Element
Code:	RAE012 013 014
Version/Date:	v2 07/18

ELECTRICAL / ENVIRONMENTAL

Voltage ~230V - 50Hz

Nominal Powers 150W - 300W - 600W - 800W

Power Tolerance ±35%

Insulation Class Class 1

Type of Actuator (regulator) Capillary thermostat 16A 230V 100.000 cycles

Heating Element PTC heater

Operating Ambient Temperature 0°C -:- 50°C

Storage Temperature -20°C -:- 80°C

Max Humidity Level 85% at 25°C (without condensation)

WATER TEMPERATURE REGULATION PERFORMANCE

Type of Regulation

ON I OFF (towel rail water temperature regulation)

Electromechanical switch - bimetallic thermostat

Water Temperature Setting Range 5°C ±5K - 70°C±5K

Switching Differential ~7K

USER INTERFACE

Local Interface

Knob symbols/scale: numbers (1-9)

LED ON indicates that the appliance is under voltage (independently from the functioning of heating element - EN 60335 standard requirement).

LED colour: Blue

PLASTIC ENCLOSURE

Material Blend (ABS + PC) - V0

Finishing White RAL 9016 - glossy finish Chromed (metalized) - glossy finish

Enclosure Degree of Protection IP24

Plastic Enclosure Size 55x90x80

Mechanical Construction

The heating element is completely integrated into the plastic box which contains the Water Regulation Thermostat. It is not possible to disassemble the heater from the plastic enclosure.

CABLE AND SUPPLY CONNECTION

Material

The appliance is intended to be permanently connected to domestic power supply. **IMPORTANT:** The presence of an omnipolar switch from the power supply is required and must be incorporated into the fixed wiring. The omnipolar switches must be directly connected to the power supply terminals and must have a contact distance of at least 3 mm in each pole. Check that the electricity supply system is connected through an MCB (Magnetothermic Circuit Break) and RCCB (residual current circuit breaker) devices.

Cable Type and Section PVC H05VV-F / G3x0.75mm²

Cable Length 900mm of white sleeve + 50mm end stripped part

Plug No Plug

Phoenix Whirlpools Ltd. Unit 8, Leeds 27 Industrial Estate, Bruntcliffe Avenue, Morley, Leeds LS27 0LL

Tel: (Sales) +44 (0)113 2012260 Fax: +44 (0)113 2012268 Email: sales@phoenix-uk.co.uk Web: www.phoenix-uk.co.uk

Guarantee/Aftercare: During installation extra care must be taken to avoid damaging the fittings. We provide a guarantee against faulty manufacture or materials (excluding serviceable parts), providing they have been installed, cared for and used in accordance with our instructions and good plumbing practice. Notes: Drawings may not be to scale. All dimensions in mm unless otherwise stated. Information correct at time of printing but subject to change at any time.