

Phoenix

DESIGNED FOR YOU

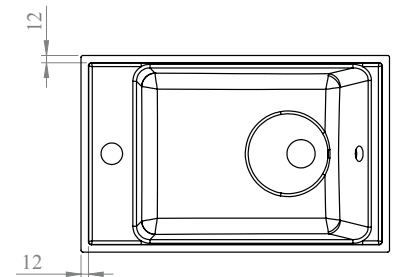
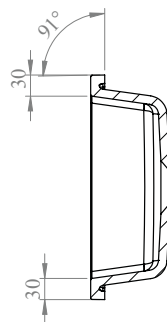
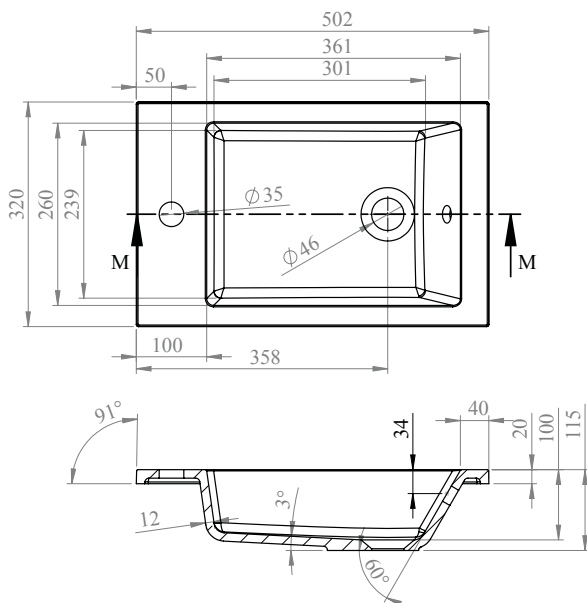
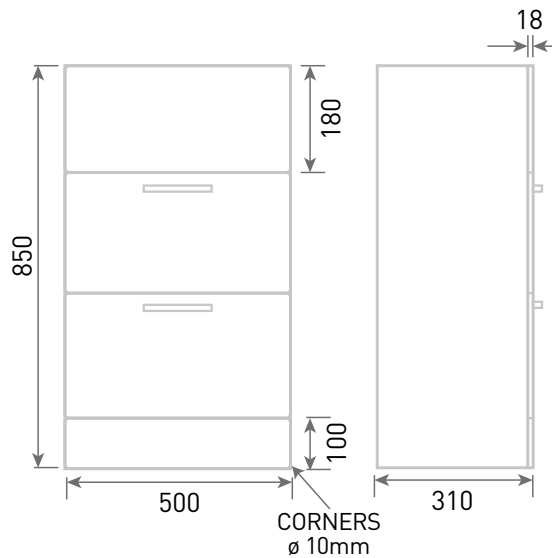
Technical Data Sheet

Range: Furniture

Type: Liri 50 2 Drawer Floor Unit & Basin

Code: N060125TH N060425TH N060525TH N060725TH

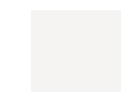
Version/Date: v1 02/20



Information:
Mineral Cast Basin

Guarantee/Aftercare: During installation extra care must be taken to avoid damaging the fittings. We provide a guarantee against faulty manufacture or materials (excluding serviceable parts), providing they have been installed, cared for and used in accordance with our instructions and good plumbing practice.

Unit Colour:



Gloss White



Matt Fern



Stone Matt



Matt Graphite

Phoenix Whirlpools Ltd. Unit 8, Leeds 27 Industrial Estate, Bruntcliffe Ave. Morley, Leeds LS27 0LL

Tel: (Sales) +44 (0)113 2012260 Fax: +44 (0)113 2012268 Email: sales@phoenix-uk.co.uk Web: www.phoenix-uk.co.uk

Notes: Drawings may not be to scale. All dimensions in mm unless otherwise stated. Information correct at time of printing but subject to change at any time.