

Phoenix

DESIGNED FOR YOU

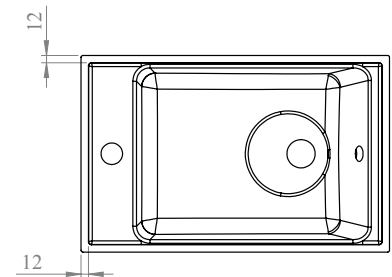
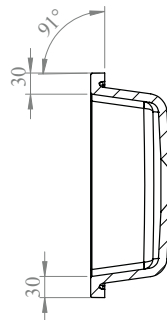
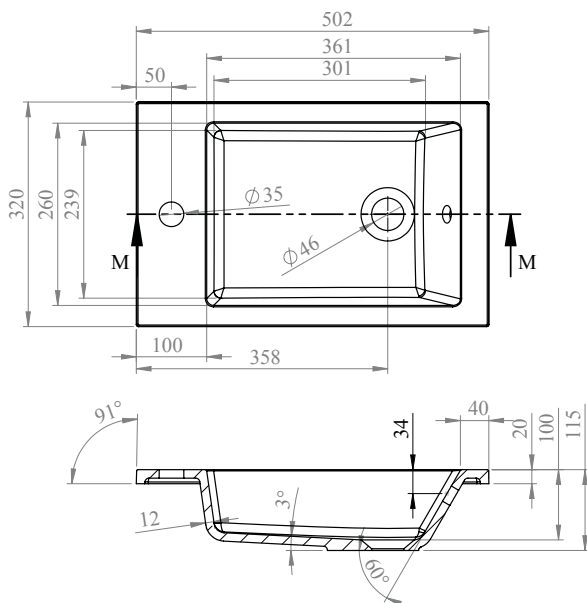
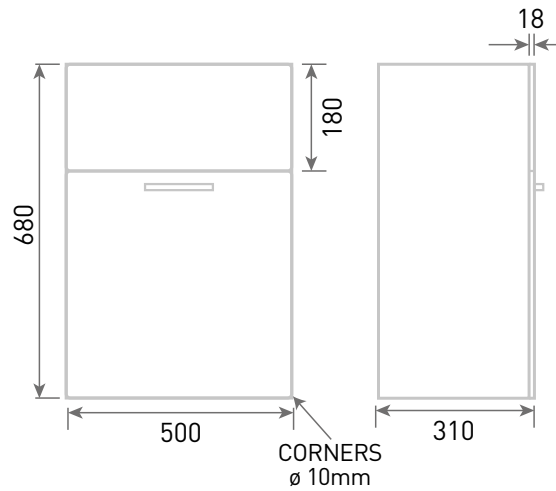
Technical Data Sheet

Range: Furniture

Type: Liri 50 1 Drawer Wall Unit & Basin

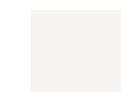
Code: N060105TH N060405TH N060505TH N060705TH

Version/Date: v1 02/20



Information:
Mineral Cast Basin

Unit Colour:



Gloss White



Matt Fern



Stone Matt



Matt Graphite

Guarantee/Aftercare: During installation extra care must be taken to avoid damaging the fittings. We provide a guarantee against faulty manufacture or materials (excluding serviceable parts), providing they have been installed, cared for and used in accordance with our instructions and good plumbing practice.

Phoenix Whirlpools Ltd. Unit 8, Leeds 27 Industrial Estate, Bruntcliffe Ave. Morley, Leeds LS27 0LL

Tel: (Sales) +44 (0)113 2012260 Fax: +44 (0)113 2012268 Email: sales@phoenix-uk.co.uk Web: www.phoenix-uk.co.uk

Notes: Drawings may not be to scale. All dimensions in mm unless otherwise stated. Information correct at time of printing but subject to change at any time.