

Phoenix

DESIGNED FOR YOU

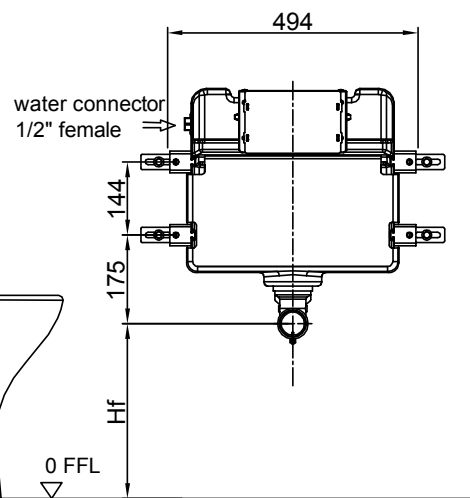
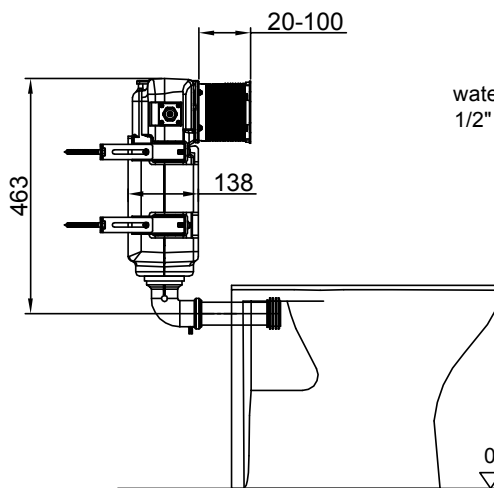
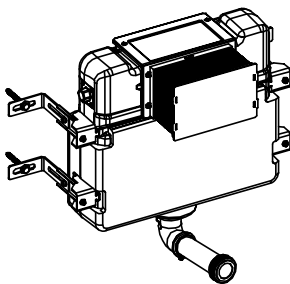
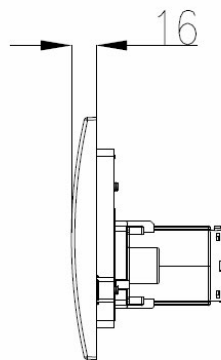
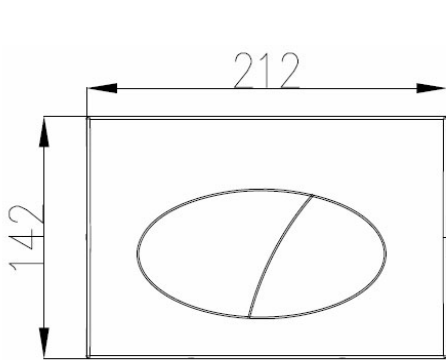
Technical Data Sheet

Range: Fixing Frames

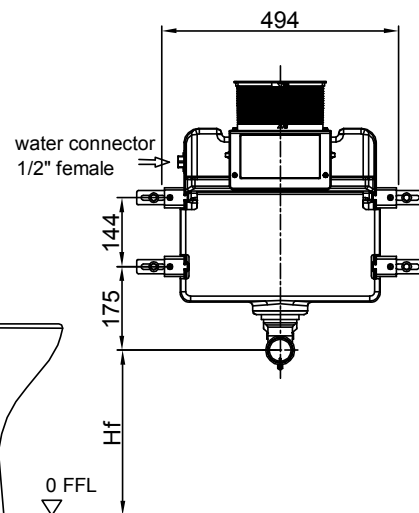
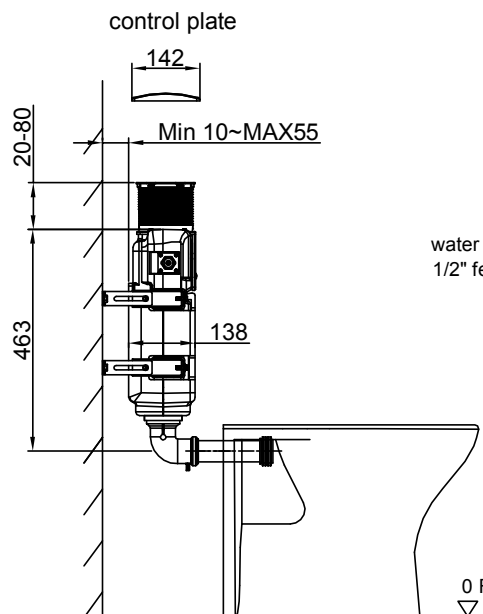
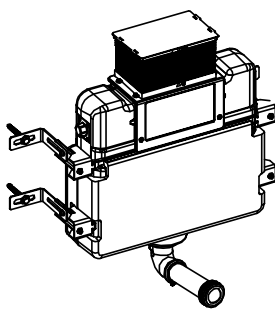
Type: Insulated Concealed Cistern - Round

Code: CC016

Version/Date: v3 07/19



Duct mounted as front flush



Duct mounted as top flush

Guarantee/Aftercare: During installation extra care must be taken to avoid damaging the fittings. We provide a guarantee against faulty manufacture or materials (excluding serviceable parts), providing they have been installed, cared for and used in accordance with our instructions and good plumbing practice.

Phoenix Whirlpools Ltd. Unit 8, Leeds 27 Industrial Estate, Bruntcliffe Ave. Morley, Leeds LS27 0LL

Tel: (Sales) +44 (0)113 2012260 Fax: +44 (0)113 2012268 Email: sales@phoenix-uk.co.uk Web: www.phoenix-uk.co.uk

Notes: Drawings may not be to scale. All dimensions in mm unless otherwise stated. Information correct at time of printing but subject to change at any time.

Phoenix

DESIGNED FOR YOU

Technical Data Sheet

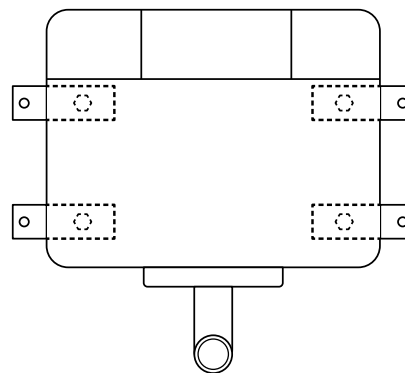
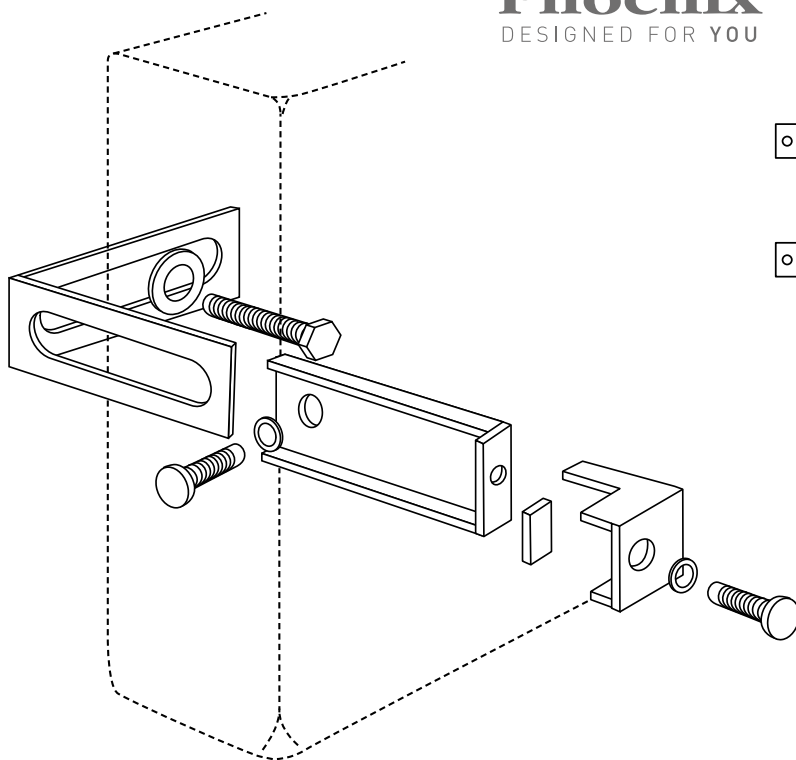
Range: Fixing Frames

Type: Insulated Concealed Cistern - square

Code: CC015

Version/Date: v2 03/17

Phoenix
DESIGNED FOR YOU



FRONT VIEW

CC014 INSTALLATION NOTICE

When fitted into furniture, the attaching brackets (x4) should be turned 180° to attach behind the cistern.

Finishes:

Phoenix Whirlpools Ltd. Unit 8, Leeds 27 Industrial Estate, Bruntcliffe Ave. Morley, Leeds LS27 0LL

Tel: (Sales) +44 (0)113 2012260 Fax: +44 (0)113 2012268 Email: sales@phoenix-uk.co.uk Web: www.phoenix-uk.co.uk

Notes: Drawings may not be to scale. All dimensions in mm unless otherwise stated. Information correct at time of printing but subject to change at any time.