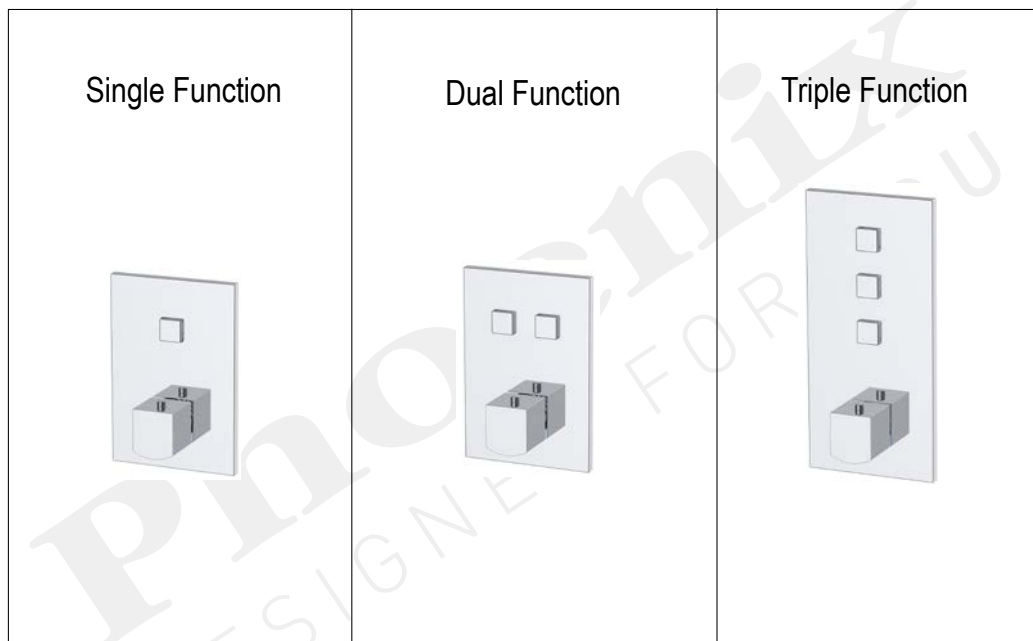


CONCEALED THERMOSTATIC TOUCH SHOWER MIXER VALVE

Installation & Aftercare Instructions



PLEASE READ BEFORE INSTALLATION



Before installation begins, please check contents for completeness and transit damage.

We recommend that these products are installed by a qualified plumber.

Before drilling walls, check for hidden cables or pipework.

It is good practice to flush pipework for a few minutes before installing taps to minimise the chances of debris blocking/damaging the valve.

INTRODUCTION

This guide provides instruction for the installation operation and maintenance of concealed touch control Shower Valves. It is beyond the scope of this guide to provide detailed instructions for the installation of auxiliary products which may be attached to these valves.

These shower valves must be installed in accordance with the Water Supply (Water Fittings) Regulations 1999 and in accordance with the BuildCert TMV2 scheme.

OPERATING CONDITIONS OF USE

Before installation the operating conditions of use must be checked. The table below contains details of the necessary conditions of operation. If your water supply cannot meet these conditions then the valve cannot be guaranteed to operate efficiently.

Unbalanced Water Supply

We recommend that the hot and cold water supply is balanced for optimum performance.

Low Pressure/Gravity Systems

For showers installed on a low pressure/gravity system, we recommend a negative head pump is installed.

Water pressure requirements

Minimum running water pressure: 1.0 bar (single & dual), 2.0 bar (triple)

Maximum running water pressure: 5 bar. Maximum static water pressure: 10 bar.

Water minimum flow rate

For your shower to perform well you should ensure that the pressure is as specified and a minimum flow of 10 litres per minute is available at both hot and cold inlets.

	Single & Dual	Triple
MAX Static (BAR)	10	10
Flow Pressure (BAR) Hot and Cold	1.0 - 5.0	2.0 - 5.0
Hot Supply (°C)	55 - 65	55 - 65
Cold Supply (°C)	MAX 15	MAX 15
Mixed Water (°C)	MAX 44	MAX 44

VALVE INSTALLATION GUIDELINES AND COMPLIANCE

The valve must be installed so that it is readily accessible for commissioning and maintenance in accordance with the TMV2 scheme. The valve must be installed with isolation valves on both the hot and cold water systems as close as possible to the valve; so as to allow the valve to be commissioned and tested correctly. The valve is supplied with integral strainers on the hot and cold water supplies therefore in-line strainers should not be required. The valve is fitted with integral check valve cartridges which command the water supply, therefore the thermostatic valve is protected against cross-flow due to unbalanced line pressures as required by the Water Supply (Water Fittings) Regulations 1999.

TESTING

It is recommended that showers do not exceed 44°C. The valve temperature should never exceed 46°C. After commissioning, carry out the cold failure test to ensure the valve is operating correctly and check the valve after installation to ensure it operates at the correct outlet temperature.

TESTING METHOD

The valve should be tested to ensure correct operation at commissioning and thereafter at stated intervals decided by the user but never at greater than 12 monthly intervals. The testing will only require a normal thermometer with a scale greater than 65°C. The temperature sensitive element of the thermometer should always be fully inserted into the water flow.

1. Measure the mixed water temperature.
2. Carry out a cold fail/safe shut-off test by using the isolation valve to shut off the water to the cold supply. Wait 5 seconds, if water is still flowing check that the water temperature is below 44°C. The flow should stop or reduce to a trickle.
3. Open the cold water isolation valve and measure mixed water temperature. If there is no significant change from the original settings and fail/safe shut off is functioning the valve is working correctly and no further service is required. If the outlet temperature has drifted by more than 2°C, or if the fail/safe function does not work, a full service or re-commissioning is required.

We recommend that in these circumstances you contact a plumber for advice as servicing should only be undertaken by a competent person.

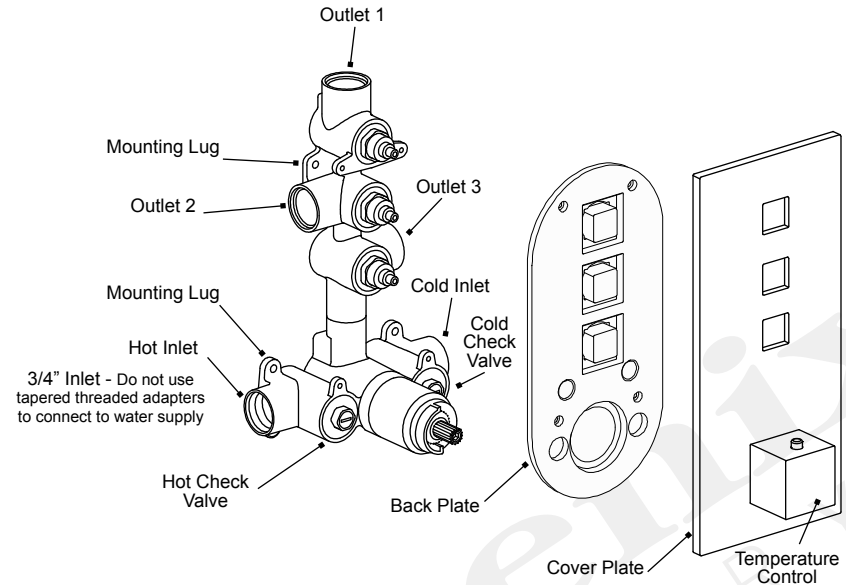
WATER SUPPLY - (WATER FITTINGS) REGULATIONS 1999

This valve complies with the requirements of the above regulations and installation should be carried out in strict compliance with them.

COMMISSIONING

Most problems associated with the operation of thermostatic shower valves are caused by debris in the new pipe work getting into the thermostat. These problems are easily avoided by thoroughly flushing the pipe work BEFORE the shower valve is fitted.

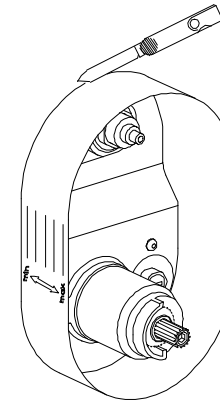
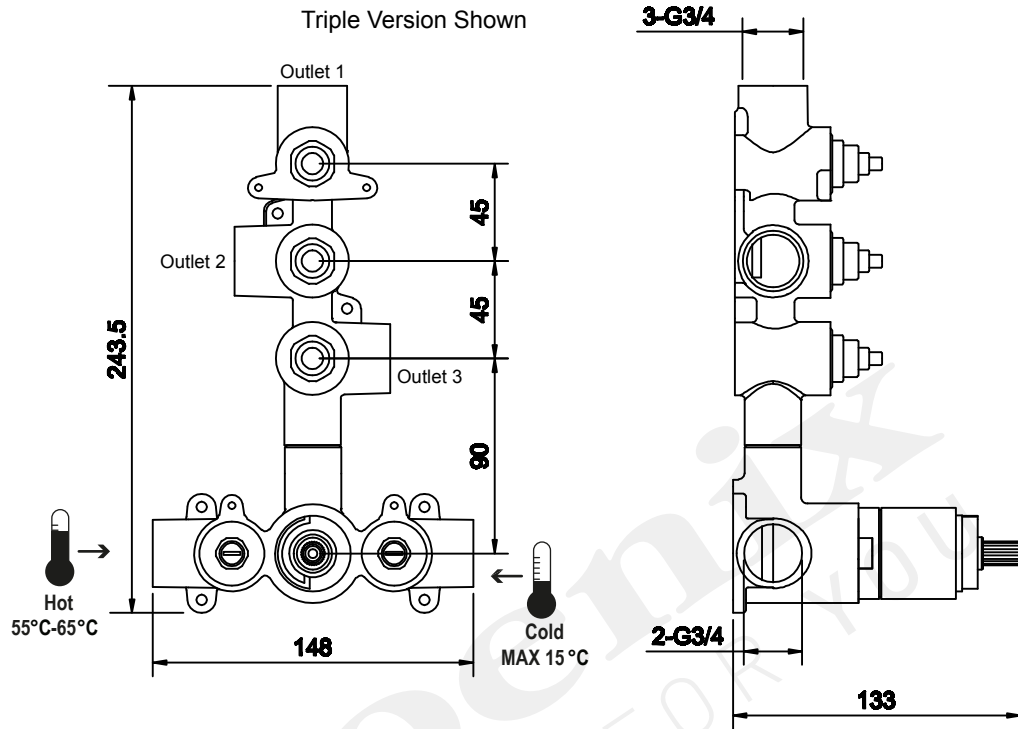
MOUNTING TOUCH SHOWER VALVES



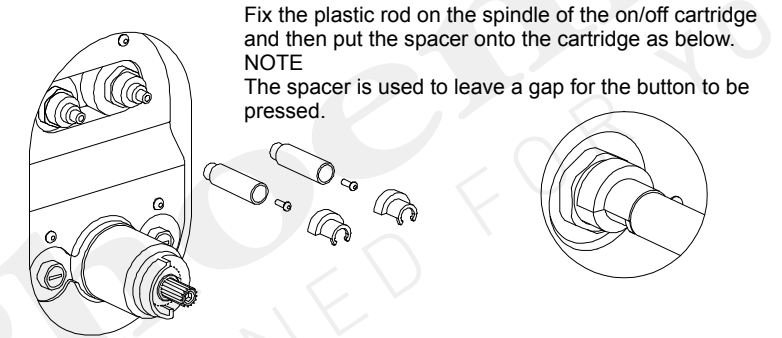
1. Determine the mounting position for the shower valve.
2. Prepare the recess in the wall in which to mount the valve. Ensure the cover plate will hide the cut recess after installation of the valve.

The depth of the recess for touch valve types should be: MIN 75mm, MAX 90mm.
3. Mount the valve in the recess using the fixing lugs and supplied fixing screws to secure
4. When the valve is securely mounted into the wall make the plumbing connections using PTFE tape. Inlets and outlets are all tapped 3/4" BSP. IMPORTANT: Do not use tapered threaded adaptors, this may damage the valve body.
5. Connect the water outlet to the valve primary outlet connection e.g. shower head
6. Turn on the water supply and test all pipe work for leaks.
7. Remove Hot & Cold check valves, flush out the installation, clean the filters and refit. Re-check pipe work and valve for leaks.
8. Connect the outlets to the shower heads/handset or other outlets such as body jets.

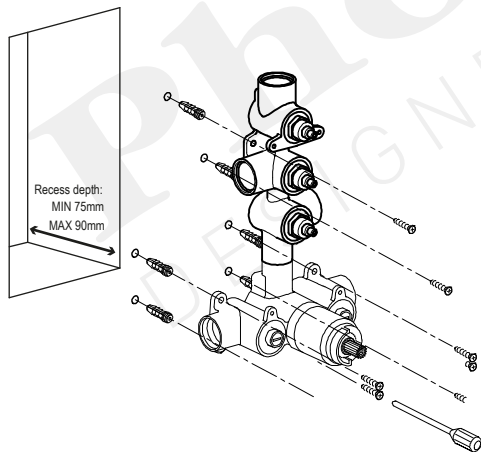
Triple Version Shown



After finishing the plasterboard, filling and tiling, cut the plastic box at the edge aligned with wall front.
NOTE
The gap between the wall and the box should be sealed with silicone.



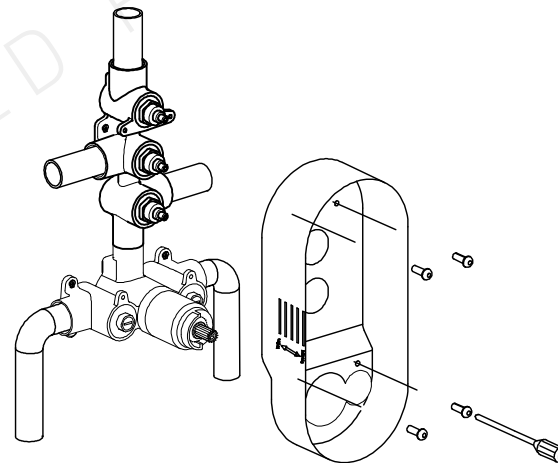
Fix the plastic rod on the spindle of the on/off cartridge and then put the spacer onto the cartridge as below.
NOTE
The spacer is used to leave a gap for the button to be pressed.



Put the valve onto the wall and make sure the valve is levelled, then mark the position of the fixing lugs.

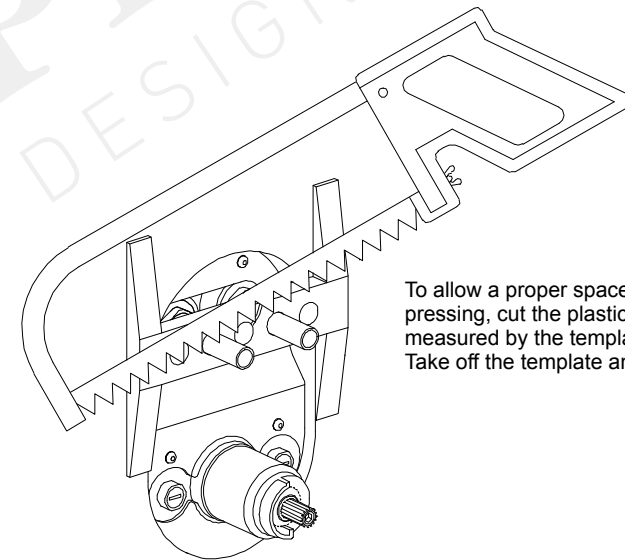
NOTES

Pay attention to leave an appropriate depth from the front face of the wall to allow for plasterboard, filling and tiling etc (min. 75mm to max. 90mm)



Fix the valve onto the wall with tapping screws and then connect the hot water supply on the left and the cold on the right.

Use the plastic cover to protect the valve before tiling the wall.



To allow a proper space for the button pressing, cut the plastic rod at the line measured by the template supplied. Take off the template and the spacer.

(5)

(6)

SETTING THE TEMPERATURE OF THE THERMOSTAT AND INSTALLATION OF THE HANDLES

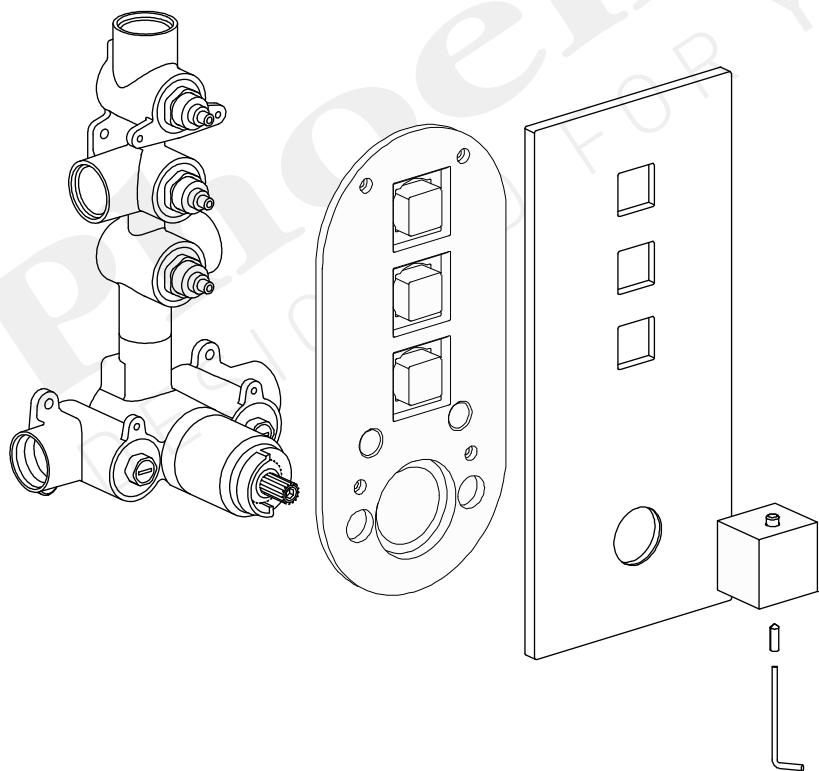
Fitting the Temperature Control Handle:

Check the valve after installation to ensure it operates at the correct outlet temperature. To set the maximum temperature rotate the spindle of the thermostat until the maximum showering temperature is reached (clockwise for cold, anti-clockwise for hot) It is recommended showers do not exceed 44°C.

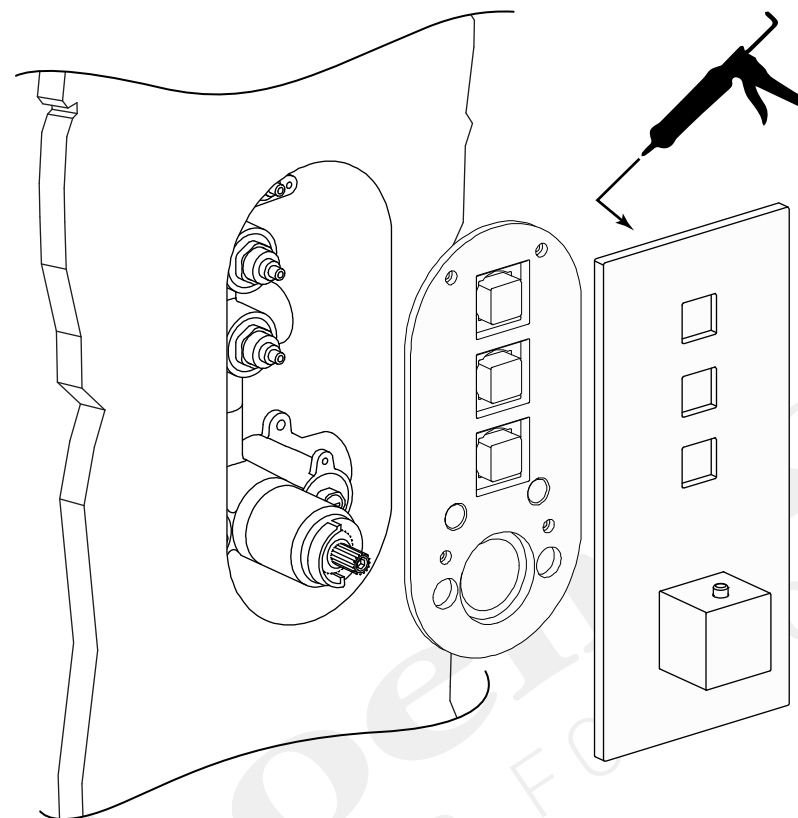
The handle temperature limiting stop is situated on the underside of the handle body. Fit the handle onto the thermostat spindle so that the stop inside the handle butts up against the right hand side of the fixed stop on the thermostat body.

This will prevent the handle from turning beyond the maximum desired temperature. When correctly fitted the handle should only be capable of being turned from the stop in a clockwise direction.

Screw the temperature control knob firmly in position using the grub screw to the side of the handle. Check once more the maximum desired temperature can not be exceeded. The valve temperature should never exceed 46°C.



(7)

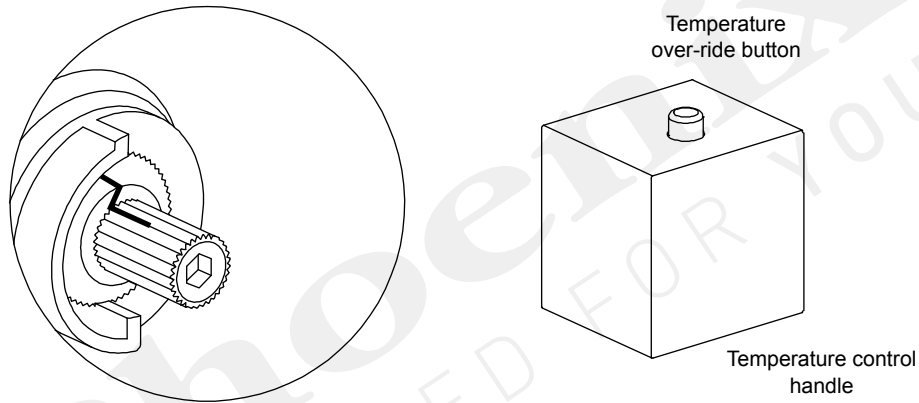


Separate the back plate from the faceplate. This should just pull apart. Fix the back fixing plate to the plastic box with a screw and tighten, then put the decoration plate on over the backplate. Adhere this to the wall with a bead of silicone to seal it.

(8)

COMMISSIONING & CALIBRATING

1. Fit the Flow Control Handle(s) securing them with the supplied screws and fit the chrome cover.
2. Press the flow on/off button to start the flow.
3. Ensure that the two check marks on the temperature control spindle are in line, this is the factory set 38°C position. (see diagram below)



4. Turn the temperature spindle anti clockwise as far as possible, this is the maximum temperature position, when the outlet temperature is stable turn the temperature spindle so that the two marks are in line. Confirm that the outlet temperature is approximately 38°C. If not adjust the temperature spindle clockwise for colder / anti-clockwise for hotter until the correct temperature is observed.

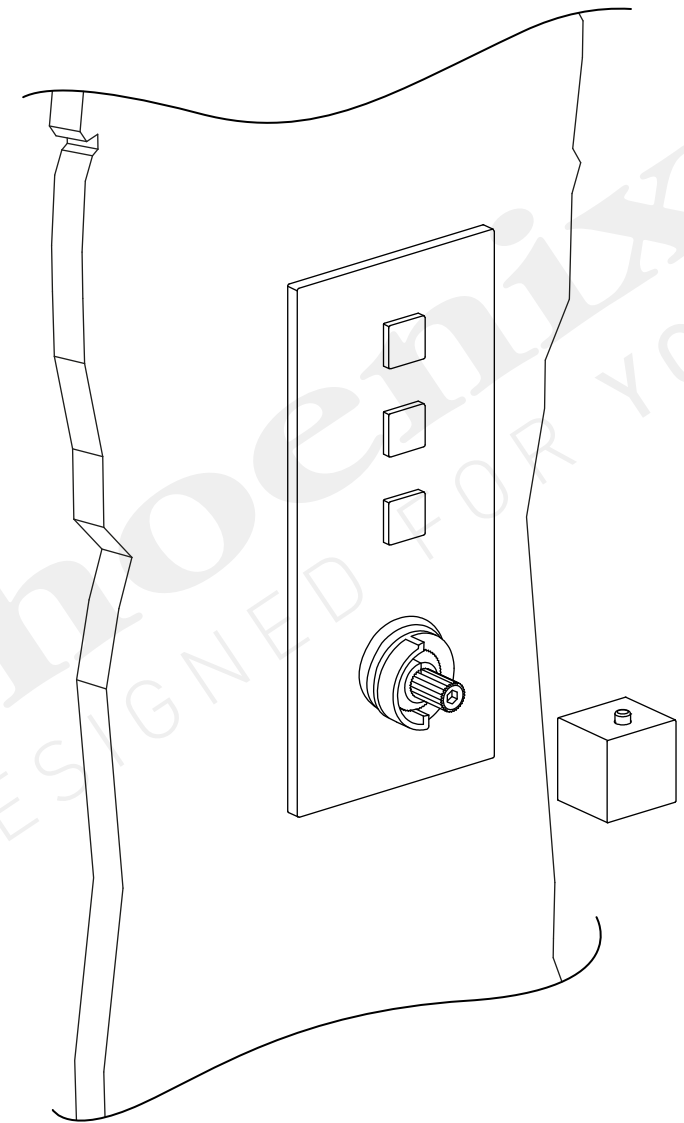
5. The temperature override position is now set.

6. Ensure that the STOP position on the temperature control ring is directly at the top, see below

7. Now fit the temperature control handle so that the temperature override button is pointing directly to the top centre of the valve.
Secure the handle with the supplied screw and fit the chrome cover.

Note - if the handles are required to be fitted in alternative orientations, then both the temperature control guide and the temperature control handle should be turned through 90, 180 or 270° in the same direction as each other

(9)



(10)

CARE OF YOUR PRODUCT

AFTER INSTALLATION

After installation we strongly recommend that the fitting be securely covered to prevent contamination or damage by any form of building materials such as paint, plaster, tile adhesive, grout or sealants until all building and finishing work is completed.

CLEANING

After use all finishes should be maintained by wiping with a soft, damp, clean cloth and then polished using a soft dry duster. NO abrasive powder, detergents or polishes should be used, cleansers containing alcohol, acid or corrosive chemicals should NOT be used.

NOTE

Some household bleaches and denture cleaners can damage plated or coloured finishes and if spilt on to a fitting should be washed off immediately with cold water.

If these instructions are followed we believe this fitting will give many years of satisfactory use.

GUARANTEE

All products are covered by a 10 year guarantee which covers any manufacturing defect. (Parts subject to wear and tear are excluded).

NOTE: The guarantee on the cartridges and valves is invalidated if damage is caused by waterborne debris.

NOTE: All products must be installed in a manner providing access for servicing or replacement during the life of the product.

We have a policy of continuous improvement and reserve the right to change specifications without notice.

Please retain this document for future reference.

TROUBLE-SHOOTING

Problem	Solution
After installation shower only runs HOT or COLD and will not mix.	Hot & Cold supplies are plumbed the wrong way round. Change the pipework around. Hot & Cold supplies are unbalanced.
Shower will not run hot enough when first installed.	Maximum/Minimum temperature needs adjusting, see temperature setting guide.
Cold water running back through the valve into the hot water system.	Check and clean the check valve cartridges and filters located under the check valves. Install additional non return valve.
Poor flow through the valve and pump won't start.	Remove filters/gauze around push button cartridges. Check if the pump is a negative head pump
Water passes through valve with faceplate on but stops when faceplate removed.	Length of push button rods are incorrect. Adjust to correct length.
Shower valve will not turn on when faceplate is fitted but works when removed.	Length of push button rods are incorrect. Adjust to correct length.