

PHOENIX

THE RETAIL BRAND

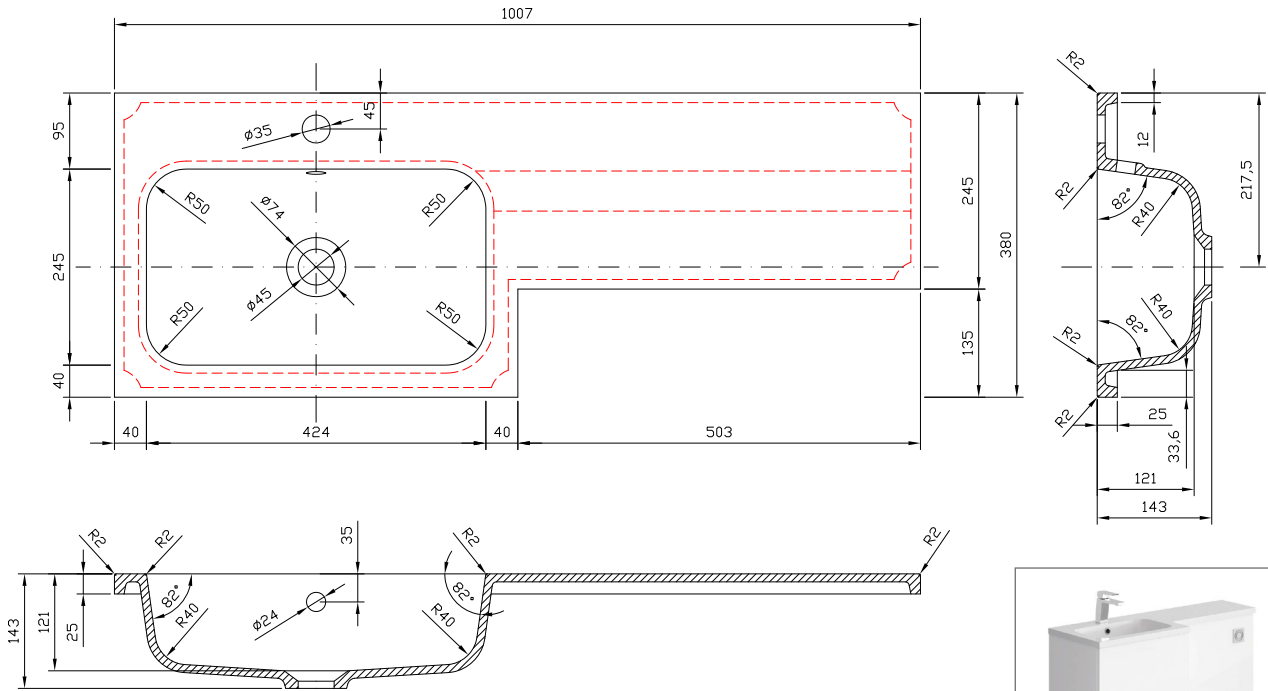
TECHNICAL DATA SHEET

Range: Furniture

Type: Style L-Suite

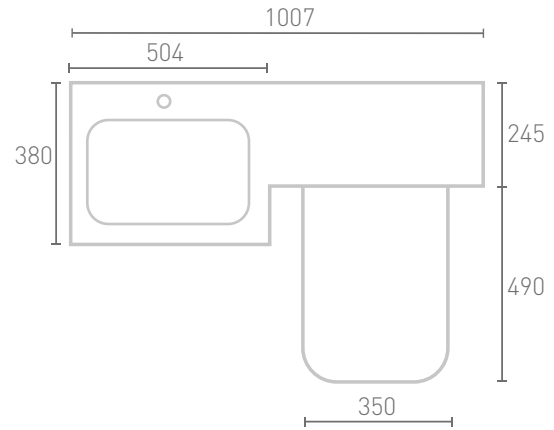
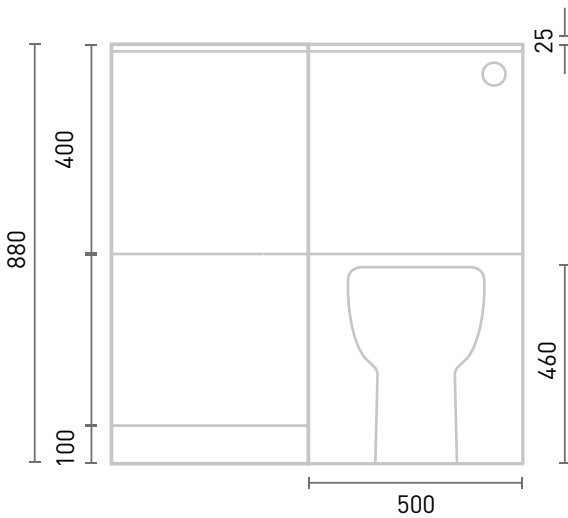
Code: N120130 N120230 N120330 N120430 N120530 N120730 LH/RH

Version/Date: v6 07/22



LH version

RH version is mirrored.



Information:

Basin unit
WC unit
One piece basin/WC top
Dual flush concealed cistern
Lune BTW pan & soft-close seat
Soft-close drawers

Guarantee/Aftercare: During installation extra care must be taken to avoid damaging the fittings. We provide a guarantee against faulty manufacture or materials (excluding serviceable parts), providing they have been installed, cared for and used in accordance with our instructions and good plumbing practice.

Finishes:



Phoenix Whirlpools Ltd. Unit 8, Leeds 27 Industrial Estate, Bruntcliffe Ave. Morley, Leeds LS27 0LL

Tel: 0113 201 2260 Email: sales@phoenix-uk.com Web: www.phoenix-uk.com

Notes: Drawings may not be to scale. All dimensions in mm unless otherwise stated. Information correct at time of printing but subject to change at any time.