

PHOENIX[®]

THE RETAIL BRAND

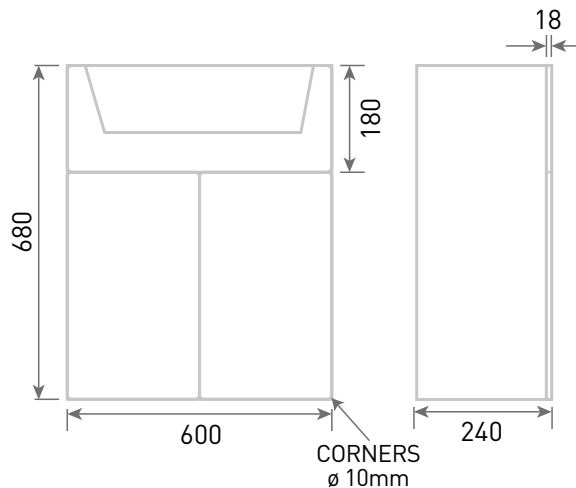
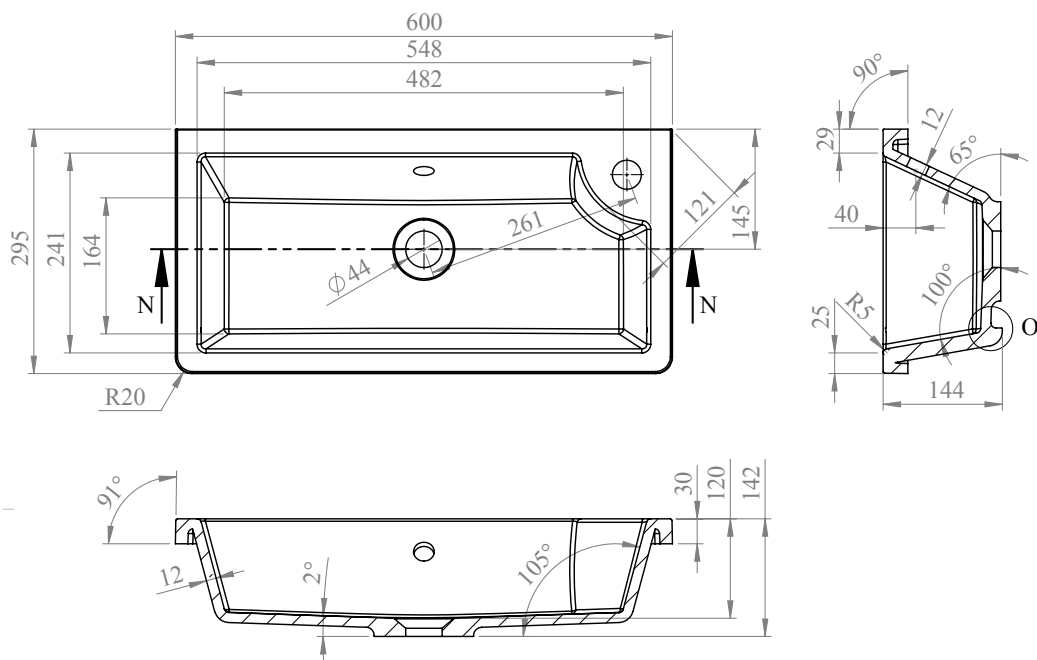
TECHNICAL DATA SHEET

Range: Arno Furniture

Type: 60 Wall Mounted 2 Door Unit & Mineral Cast Basin

Code: N080146TH N080446TH N080546TH N080746TH

Version/Date: v2 05/22



Information:

Guarantee/Aftercare: During installation extra care must be taken to avoid damaging the fittings. We provide a guarantee against faulty manufacture or materials (excluding serviceable parts), providing they have been installed, cared for and used in accordance with our instructions and good plumbing practice.

Unit Colours:



Phoenix Whirlpools Ltd. Unit 8, Leeds 27 Industrial Estate, Bruntcliffe Ave. Morley, Leeds LS27 0LL

Tel: 0113 201 2260 Email: sales@phoenix-uk.com Web: www.phoenix-uk.com

Notes: Drawings may not be to scale. All dimensions in mm unless otherwise stated. Information correct at time of printing but subject to change at any time.