

Range: Shower Enclosures

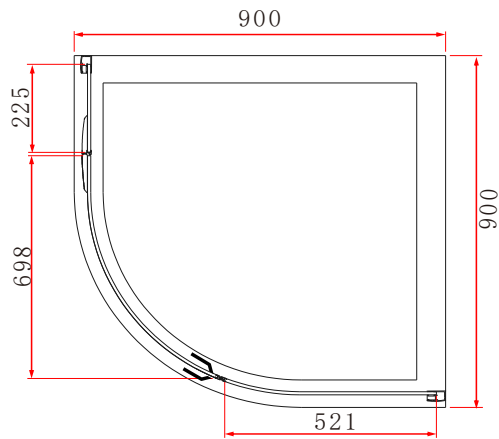
Type: I-Zone Quadrant

Code: EN015 EN016 EN017 EN018 EN019 EN020

Version/Date: v3 02/24

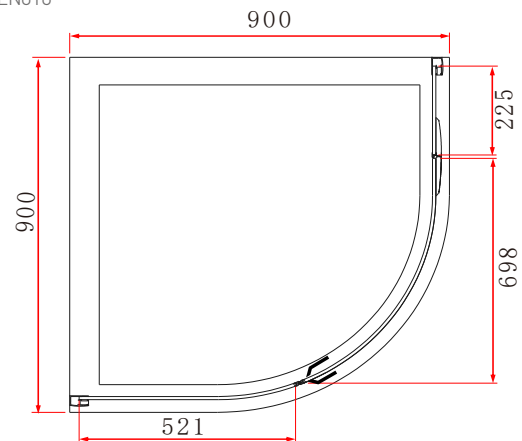


EN015



LH Hinge
(To suit LP023 Tray)

EN016



RH Hinge
(To suit LP023 Tray)

Information:

- Rise Fall Hinges
- Concealed fixings
- 20mm adjustment
- Support bar
- Magnetic door seal

- Polished aluminium frame
- Shower tray/wetroom
- 8mm Safety Glass
- Easyclean protection
- Lifetime guarantee

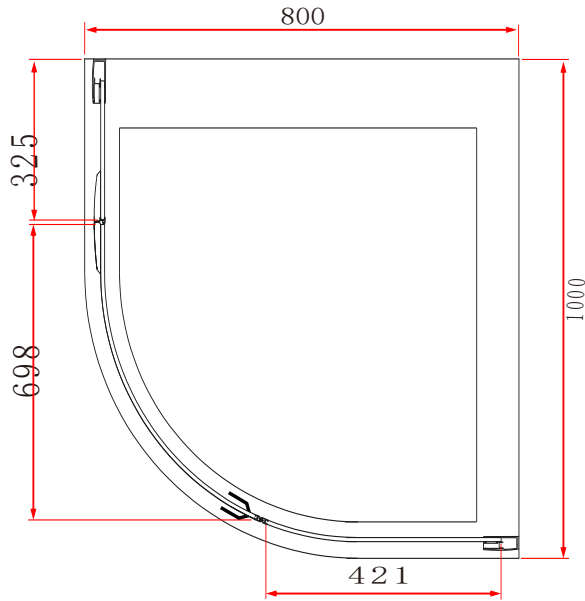
Finishes:

Guarantee/Aftercare: During installation extra care must be taken to avoid damaging the fittings. We provide a guarantee against faulty manufacture or materials (excluding serviceable parts), providing they have been installed, cared for and used in accordance with our instructions and good plumbing practice.

Phoenix Whirlpools Ltd. Unit 8, Leeds 27 Industrial Estate, Bruntcliffe Ave. Morley, Leeds LS27 0LL

Tel: 0113 201 2260 Email: sales@phoenix-uk.com Web: www.phoenix-uk.com

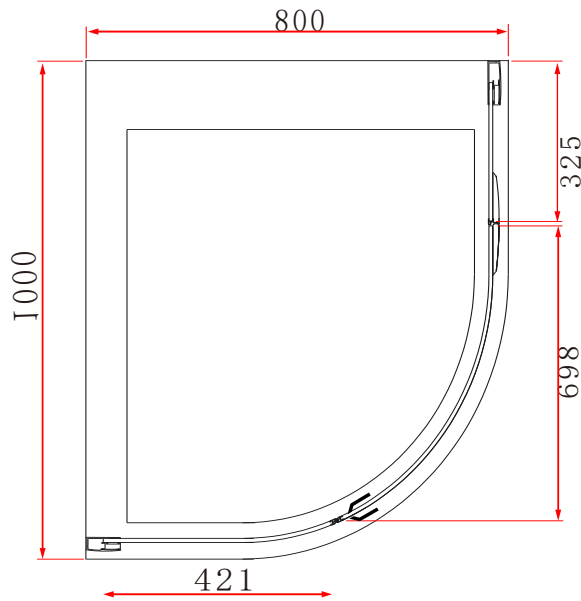
EN017



LH Hinge
(To suit LP040R RH Tray)



EN018



RH Hinge
(To suit LP040L LH Tray)

Information:

- Rise Fall Hinges
- Concealed fixings
- 20mm adjustment
- Support bar
- Magnetic door seal

- Polished aluminium frame
- Shower tray/wetroom
- 8mm Safety Glass
- Easyclean protection
- Lifetime guarantee

Finishes:

Guarantee/Aftercare: During installation extra care must be taken to avoid damaging the fittings. We provide a guarantee against faulty manufacture or materials (excluding serviceable parts), providing they have been installed, cared for and used in accordance with our instructions and good plumbing practice.

Phoenix Whirlpools Ltd. Unit 8, Leeds 27 Industrial Estate, Bruntcliffe Ave. Morley, Leeds LS27 0LL

Tel: 0113 201 2260 Email: sales@phoenix-uk.com Web: www.phoenix-uk.com

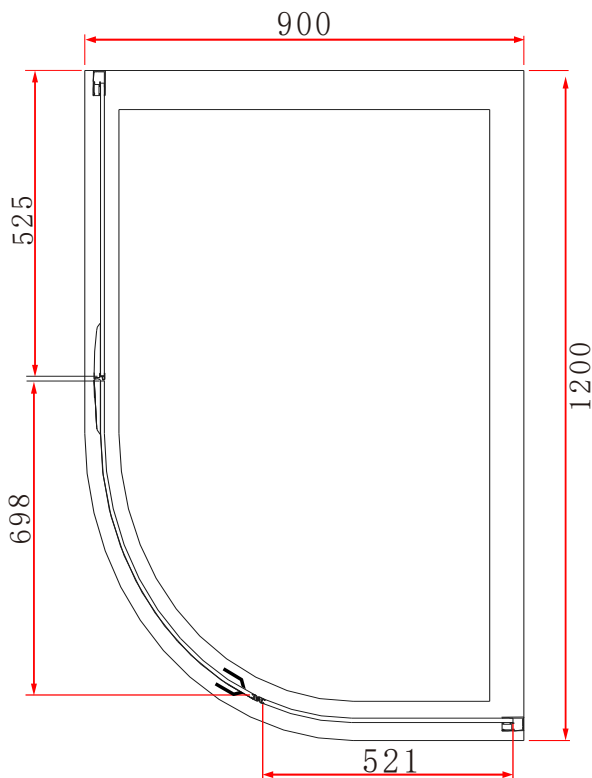
Range: Shower Enclosures

Type: I-Zone Quadrant

Code: EN015 EN016 EN017 EN018 EN019 EN020

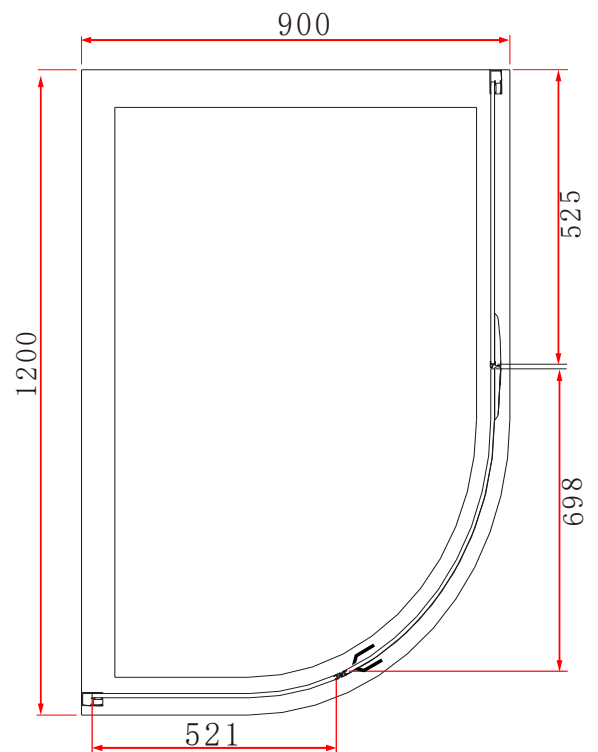
Version/Date: v3 02/24

EN019



RH Hinge (To suit LP039R RH Tray)

EN020



RH Hinge (To suit LP039L LH Tray)

Information:

- Rise Fall Hinges
- Concealed fixings
- 20mm adjustment
- Support bar
- Magnetic door seal

- Polished aluminium frame
- Shower tray/wetroom
- 8mm Safety Glass
- Easyclean protection
- Lifetime guarantee

Finishes:

Guarantee/Aftercare: During installation extra care must be taken to avoid damaging the fittings. We provide a guarantee against faulty manufacture or materials (excluding serviceable parts), providing they have been installed, cared for and used in accordance with our instructions and good plumbing practice.

Phoenix Whirlpools Ltd. Unit 8, Leeds 27 Industrial Estate, Bruntcliffe Ave. Morley, Leeds LS27 0LL

Tel: 0113 201 2260 Email: sales@phoenix-uk.com Web: www.phoenix-uk.com