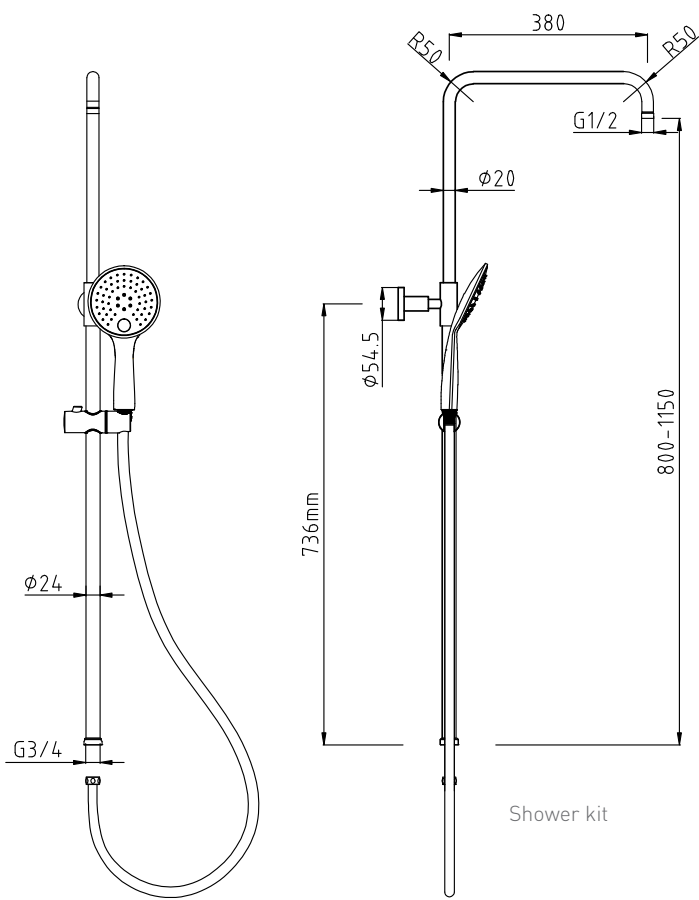


Phoenix

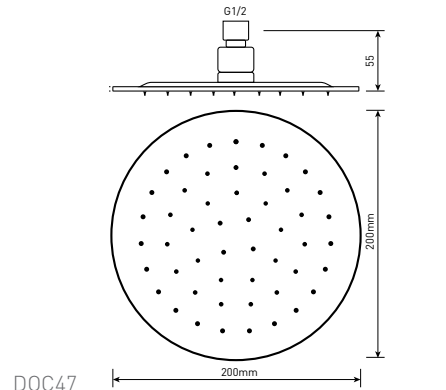
DESIGNED FOR YOU

Technical Data Sheet

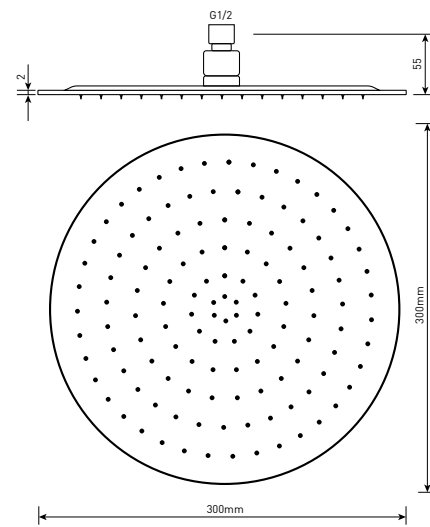
Range: Showering Solutions
 Type: Coldtouch Round Thermostatic Valve
 Code: DOC47 DOC48
 Version/Date: v1 06/17



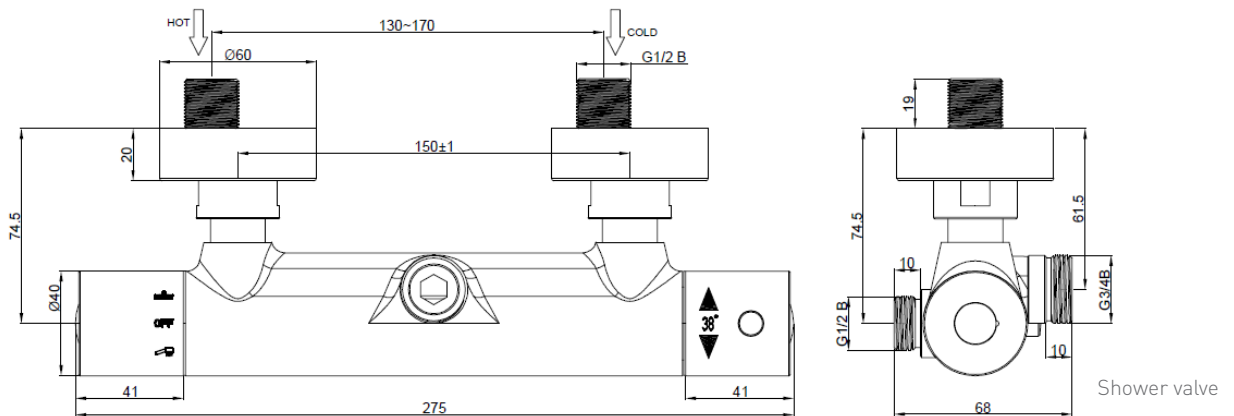
Shower kit



DOC47 Shower head



DOC48 Shower head



Shower valve

Information:
 Medium Pressure
 Vernet Cartridge

Guarantee/Aftercare: During installation extra care must be taken to avoid damaging the fittings. We provide a guarantee against faulty manufacture or materials (excluding serviceable parts), providing they have been installed, cared for and used in accordance with our instructions and good plumbing practice. We recommend that all brassware is installed to allow access to serviceable parts as we cannot accept responsibility in the event that access is required.

Finishes:



Chrome

Phoenix Whirlpools Ltd. Unit 8, Leeds 27 Industrial Estate, Bruntcliffe Ave. Morley, Leeds LS27 0LL

Tel: (Sales) +44 (0)113 2012260 Fax: +44 (0)113 2012268 Email: sales@phoenix-uk.co.uk Web: www.phoenix-uk.co.uk

Notes: Drawings may not be to scale. All dimensions in mm unless otherwise stated. Information correct at time of printing but subject to change at any time.