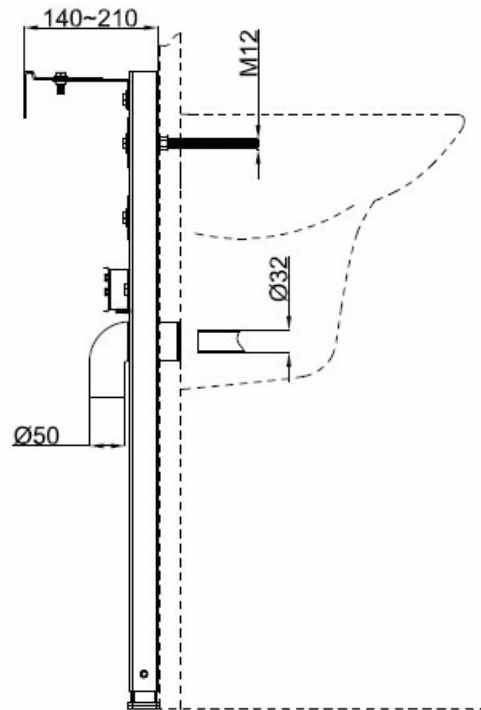
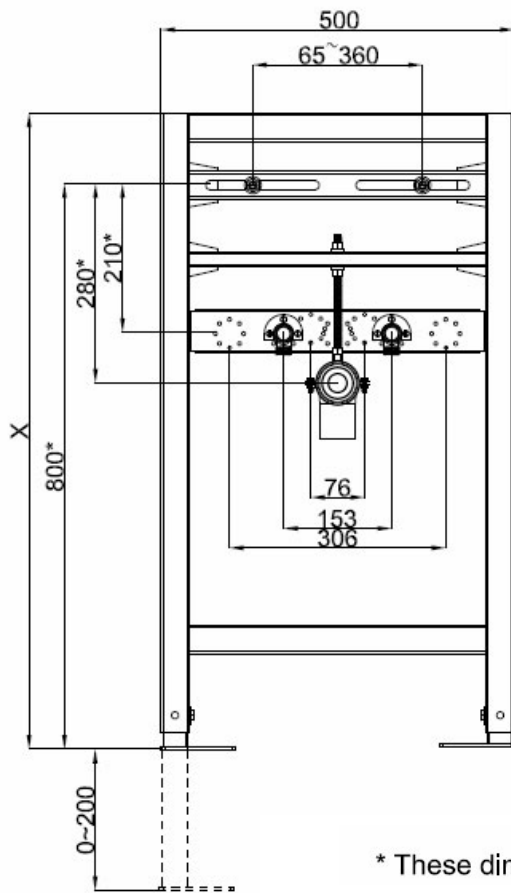


Universal Frame for Wash Basin

- Universal frame 82cm or 116cm
- Galvanized leg supports, adjustable from 0 - 20 cm
- Threaded rods M12 for ceramics fastening
- Bidet outlet bend ,HDPE, dia. 30-46mm
- Inlet position is adjustable
- Fastening material



* These dimensions can be adjusted.

Information:

Guarantee/Aftercare: During installation extra care must be taken to avoid damaging the fittings. We provide a guarantee against faulty manufacture or materials (excluding serviceable parts), providing they have been installed, cared for and used in accordance with our instructions and good plumbing practice. We recommend that all brassware is installed to allow access to serviceable parts as we cannot accept responsibility in the event that access is required.

Finishes: