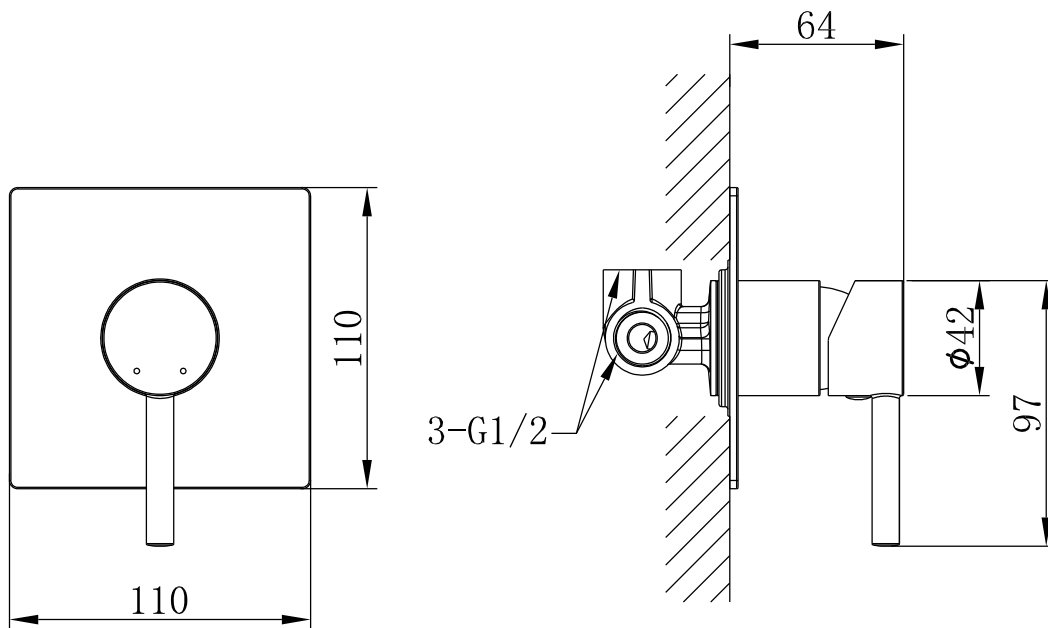


Range: Showering
Type: Wall Mounted Concealed Mixer
Code: AR018
Version/Date: v1 05/21



Information:
Low Pressure

Finishes:

Guarantee/Aftercare: During installation extra care must be taken to avoid damaging the fittings. We provide a guarantee against faulty manufacture or materials (excluding serviceable parts), providing they have been installed, cared for and used in accordance with our instructions and good plumbing practice.

Phoenix Whirlpools Ltd. Unit 8, Leeds 27 Industrial Estate, Bruntcliffe Ave. Morley, Leeds LS27 0LL
Tel: 0113 201 2260 Email: sales@phoenix-uk.com Web: www.phoenix-uk.com