

# Phoenix

DESIGNED FOR YOU

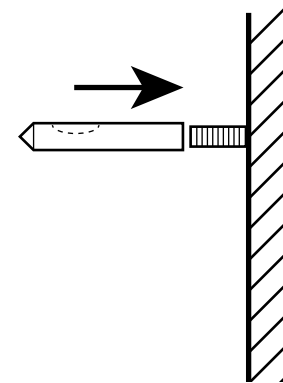
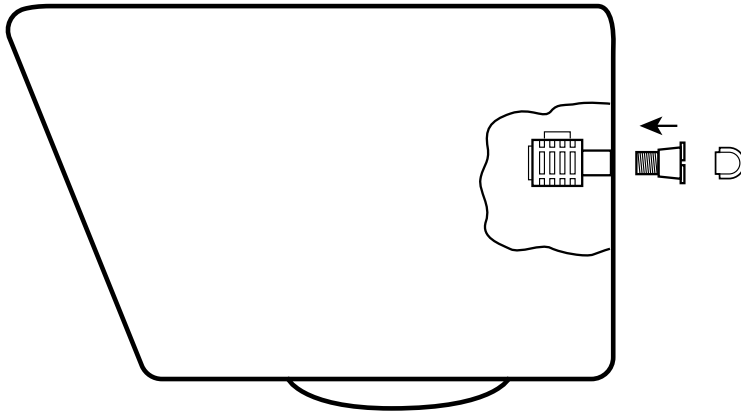
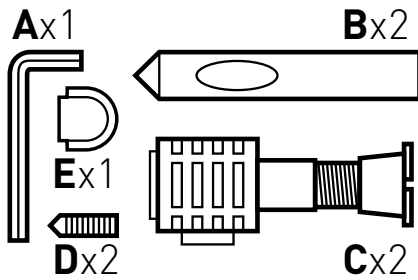
## Installation Guide

Range: Sanitaryware

Type: Megan Wall Hung WC - Top Fitting

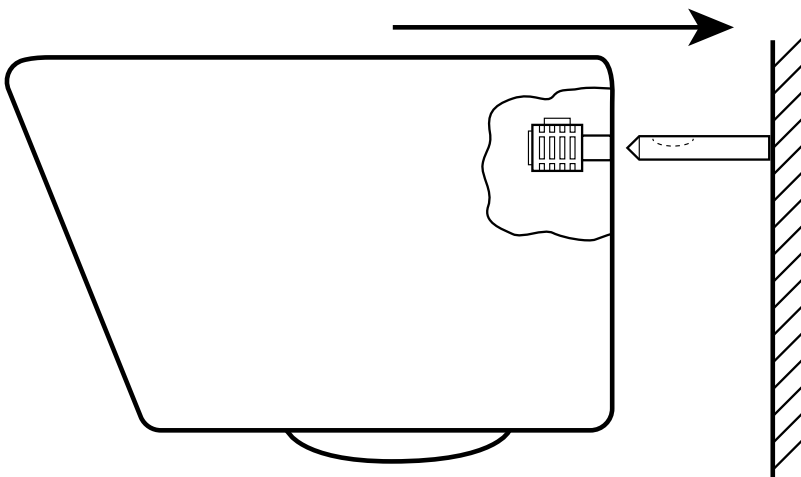
Code: MN046

Version/Date: v1 12/18

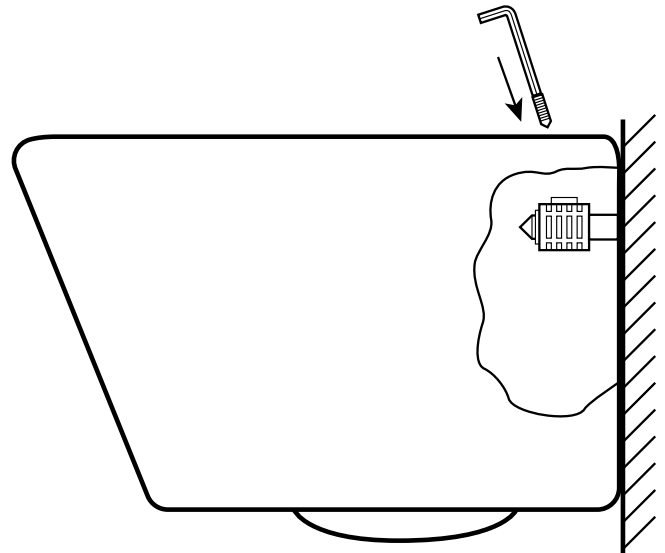


- Unscrew Part C into 2 pieces. Hold the larger part in the WC, insert the threaded part from the outside and tighten using part E. Ensure that the smaller, metal thread is pointing vertically upwards

- Screw Steel Pegs, part B (x2), onto the fixing frame, ensure that the oval groove points up vertically



- Slide the WC onto the steel pegs



- Access through the seat fixing holes. Using part A or a similar sized Hex key, screw part D (Hex head bolt) into the top of part C. This should tighten the WC onto the fixing frame. Ensure all fittings are secure before use.

Guarantee/Aftercare: During installation extra care must be taken to avoid damaging the fittings. We provide a guarantee against faulty manufacture or materials (excluding serviceable parts), providing they have been installed, cared for and used in accordance with our instructions and good plumbing practice. All products installed in a commercial environment carry a 12 month guarantee. We cannot be held responsible for the use of incorrect dimensions shown for first fix without the actual products on site. All dimensions stated are nominal and are subject to manufacturing tolerances.

Phoenix Whirlpools Ltd. Unit 8, Leeds 27 Industrial Estate, Bruntcliffe Ave. Morley, Leeds LS27 0LL

Tel: (Sales) +44 (0)113 2012260 Fax: +44 (0)113 2012268 Email: sales@phoenix-uk.co.uk Web: www.phoenix-uk.co.uk

Notes: Drawings may not be to scale. All dimensions in mm unless otherwise stated. Information correct at time of printing but subject to change at any time.