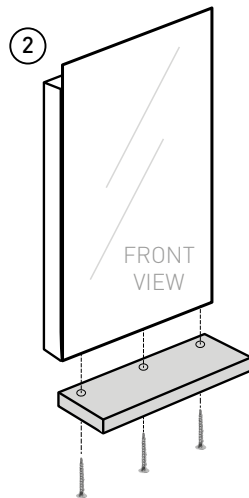
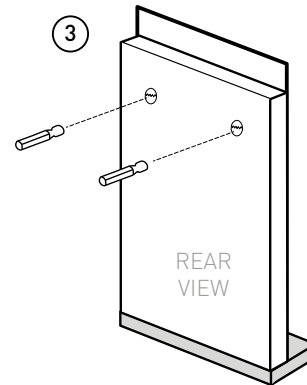


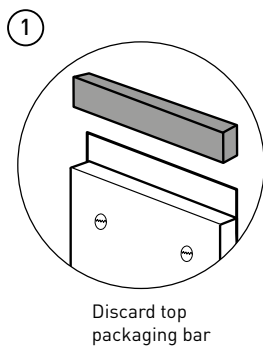
Discard top packaging bar



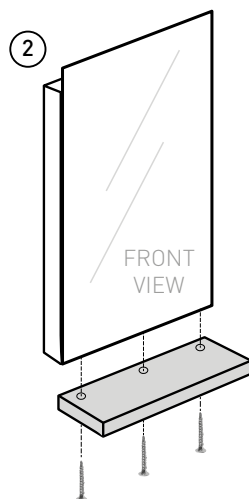
Attach shelf to bottom of mirror using supplied screws. Do not overtighten.



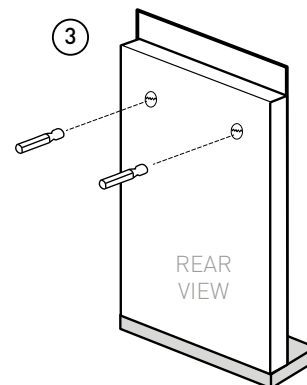
Measure and create wall hanging points. Ensure mirror is level and secure.



Discard top packaging bar



Attach shelf to bottom of mirror using supplied screws. Do not overtighten.



Measure and create wall hanging points. Ensure mirror is level and secure.