

Phoenix

DESIGNED FOR YOU

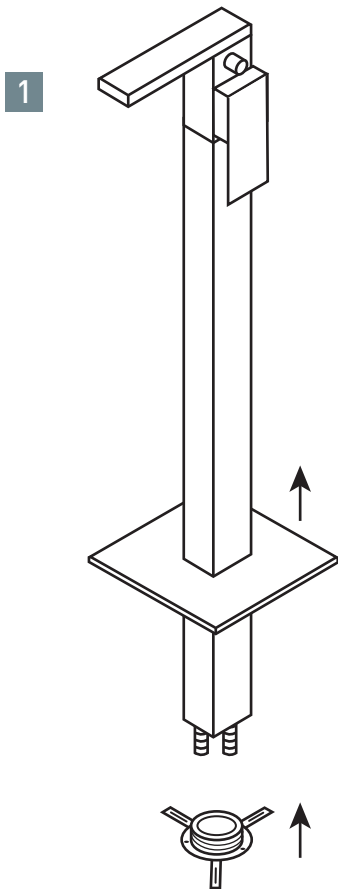
Fitting Guide

Range: Brassware

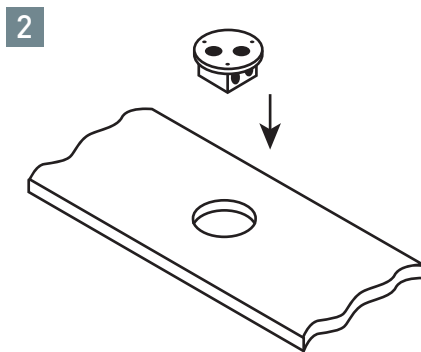
Type: Cute Freestanding Bath Shower Mixer

Code: CU020

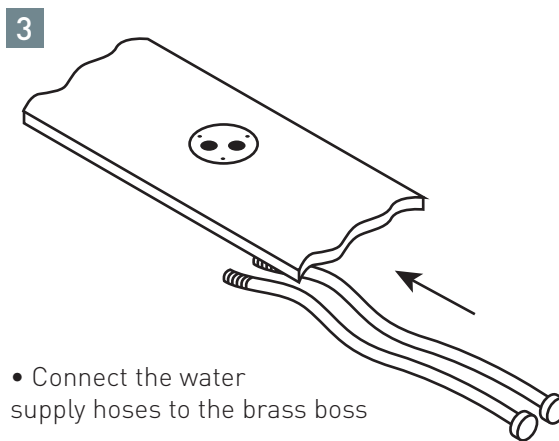
Version/Date: v1 03/18



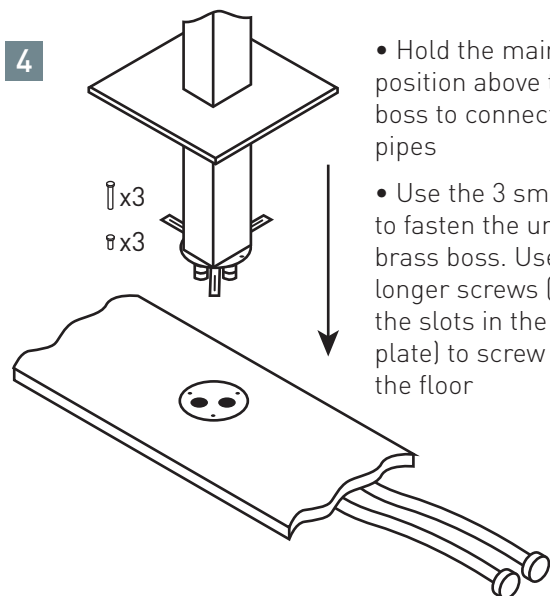
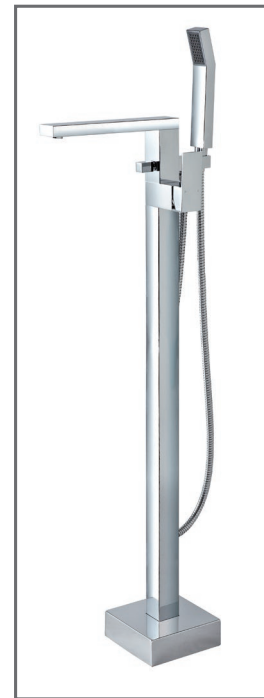
- Slide the base cover onto the unit
- Screw the mounting plate into the bottom of the unit



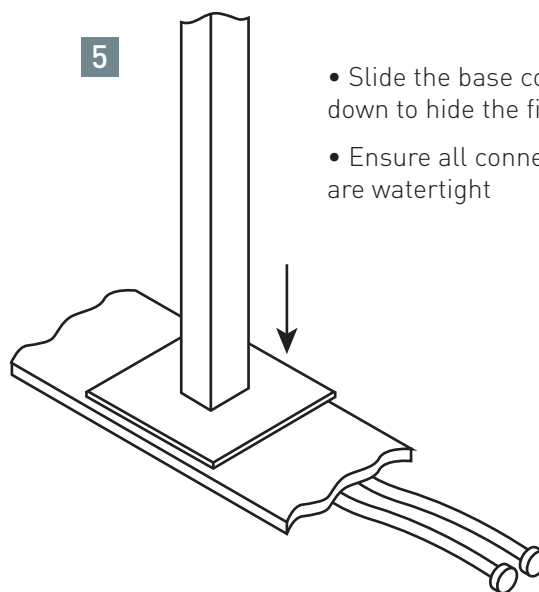
- Insert the brass boss into your floor.



- Connect the water supply hoses to the brass boss



- Hold the main unit in position above the brass boss to connect the inlet pipes
- Use the 3 small screws to fasten the unit to the brass boss. Use the 3 longer screws (through the slots in the mounting plate) to screw the unit to the floor



- Slide the base cover down to hide the fittings
- Ensure all connections are watertight

Guarantee/Aftercare: During installation extra care must be taken to avoid damaging the fittings. We provide a guarantee against faulty manufacture or materials (excluding serviceable parts), providing they have been installed, cared for and used in accordance with our instructions and good plumbing practice.

Phoenix Whirlpools Ltd. Unit 8, Leeds 27 Industrial Estate, Bruntcliffe Avenue, Morley, Leeds, LS27 0LL

Tel: (Sales) +44 (0)113 2012260 Fax: +44 (0)113 2012268 Email: sales@phoenix-uk.co.uk Web: www.phoenix-uk.co.uk

Notes: Drawings may not be to scale. All dimensions in mm unless otherwise stated. Information correct at time of printing but subject to change at any time.