

# Phoenix

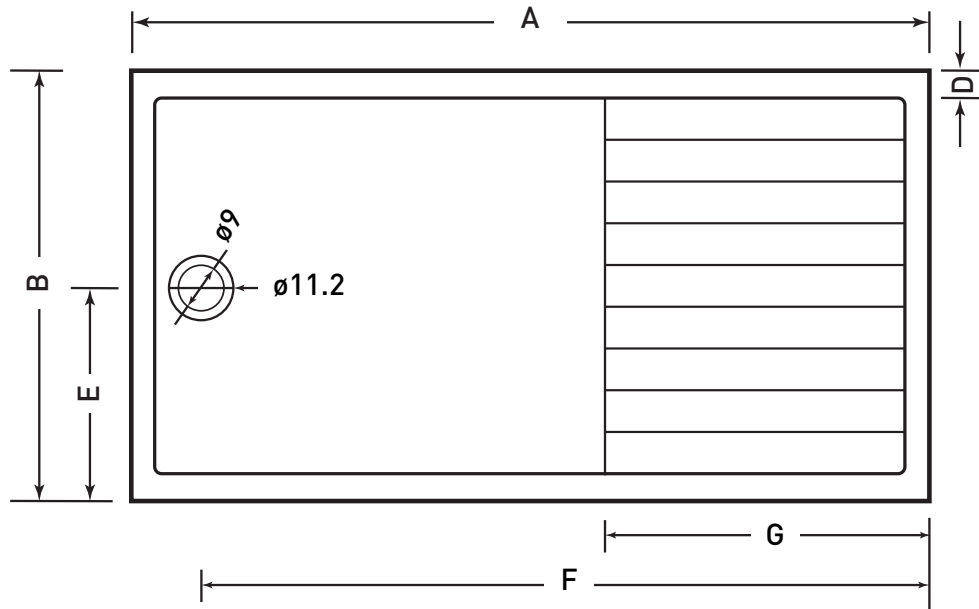
DESIGNED FOR YOU

## Technical Data Sheet

Range:	Shower Trays
Type:	Walk In
Code:	LP020/LP033/LP043/LP051
Version/Date:	v3 03/20

Size	Code	A	B	D	E	F	G
130 x 80	LP020	130	80	65	40	111	52
140 x 90	LP033	140	90	65	40	121	60
160 x 80	LP043	160	80	65	40	141	68
170 x 80	LP051	170	80	65	40	151	68

Dimensions in CM



Information: Trays include 90mm waste

Guarantee/Aftercare: During installation extra care must be taken to avoid damaging the fittings. We provide a guarantee against faulty manufacture or materials (excluding serviceable parts), providing they have been installed, cared for and used in accordance with our instructions and good plumbing practice. All products installed in a commercial environment carry a 12 month guarantee. We cannot be held responsible for the use of incorrect dimensions shown for first fix without the actual products on site.

In line with the CE standards for this type of product, there may be a manufacturers tolerance of approximately +/- 2% on the overall dimensions and finish on these products. As per our terms and conditions of guarantee, we cannot be held responsible for the use of dimensions shown for first fix without the actual products on site. All dimensions stated are nominal and are subject to manufacturing tolerances.

Finishes:



Stone Resin

**Phoenix Whirlpools Ltd. Unit 8, Leeds 27 Industrial Estate, Bruntcliffe Ave. Morley, Leeds LS27 0LL**

Tel: (Sales) +44 (0)113 2012260 Fax: +44 (0)113 2012268 Email: sales@phoenix-uk.co.uk Web: www.phoenix-uk.co.uk

Notes: Drawings may not be to scale. All dimensions in cm unless otherwise stated. Information correct at time of printing but subject to change at any time.