

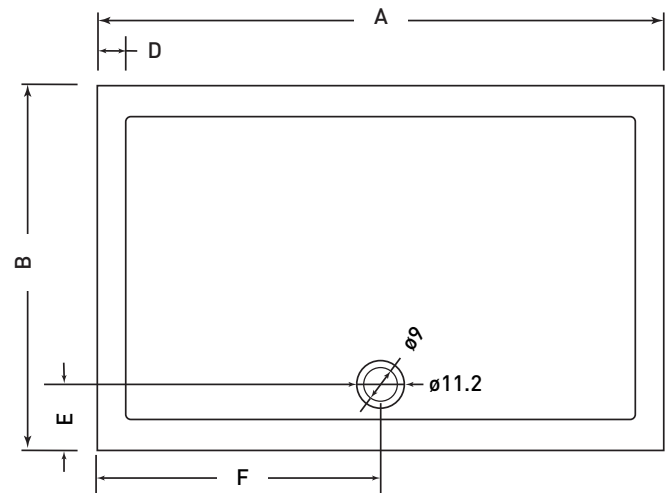
Phoenix

DESIGNED FOR YOU

Technical Data Sheet

Range: Shower Trays
 Type: Rectangular, Centre Waste
 Code: LP0xx
 Version/Date: v4 03/20

Size	Code	A	B	D	E	F
80 x 70	LP009	80	70	6.5	19	40
80 x 76	LP010	80	76	6.5	19	40
90 x 70	LP005	90	70	6.5	19	45
90 x 76	LP006	90	76	6.5	19	45
90 x 80	LP007	90	80	6.5	19	45
100 x 70	LP045	100	70	6.5	19	50
100 x 76	LP052	100	76	6.5	19	50
100 x 80	LP011	100	80	6.5	19	50
100 x 90	LP012	100	90	6.5	19	50
110 x 70	LP053	110	70	6.5	19	55
110 x 76	LP054	110	76	6.5	19	55
110 x 80	LP042	110	80	6.5	19	55
110 x 90	LP056	110	90	6.5	19	55
120 x 70	LP044	120	70	6.5	19	60
120 x 76	LP016	120	76	6.5	19	60
120 x 80	LP017	120	80	6.5	19	60
120 x 90	LP018	120	90	6.5	19	60
130 x 70	LP013	130	70	6.5	19	65
130 x 76	LP014	130	76	6.5	19	65
130 x 80	LP015	130	80	6.5	19	65
140 x 70	LP092	140	70	6.5	19	70
140 x 76	LP059	140	76	6.5	19	70
140 x 80	LP055	140	80	6.5	19	70
140 x 90	LP058	140	90	6.5	19	70
150 x 70	LP093	150	70	6.5	19	75
150 x 76	LP060	150	76	6.5	19	75
150 x 80	LP061	150	80	6.5	19	75
150 x 90	LP062	150	90	6.5	19	75
160 x 70	LP094	160	70	6.5	19	80
160 x 80	LP098	160	80	6.5	19	80
160 x 90	LP046	160	90	6.5	19	80
170 x 70	LP099	170	70	6.5	19	85
170 x 75	LP063	170	75	6.5	19	85
170 x 80	LP097	170	80	6.5	19	85
170 x 90	LP064	170	90	6.5	19	85
180 x 76	LP019	180	76	6.5	19	90
180 x 80	LP067	180	80	6.5	19	90
180 x 90	LP068	180	90	6.5	19	90
200 x 80	LP069	200	80	6.5	19	100
200 x 90	LP070	200	90	6.5	19	100



Information: Trays include 90mm waste
 Dimensions in CM.

Guarantee/Aftercare: During installation extra care must be taken to avoid damaging the fittings. We provide a guarantee against faulty manufacture or materials (excluding serviceable parts), providing they have been installed, cared for and used in accordance with our instructions and good plumbing practice. All products installed in a commercial environment carry a 12 month guarantee. We cannot be held responsible for the use of incorrect dimensions shown for first fix without the actual products on site.
 In line with the CE standards for this type of product, there may be a manufacturers tolerance of approximately +/- 2% on the overall dimensions and finish on these products. As per our terms and conditions of guarantee, we cannot be held responsible for the use of dimensions shown for first fix without the actual products on site. All dimensions stated are nominal and are subject to manufacturing tolerances.

Finishes:



Phoenix Whirlpools Ltd. Unit 8, Leeds 27 Industrial Estate, Bruntcliffe Ave. Morley, Leeds LS27 0LL

Tel: (Sales) +44 (0)113 2012260 Fax: +44 (0)113 2012268 Email: sales@phoenix-uk.co.uk Web: www.phoenix-uk.co.uk

Notes: Drawings may not be to scale. All dimensions in cm unless otherwise stated. Information correct at time of printing but subject to change at any time.