

Phoenix

DESIGNED FOR YOU

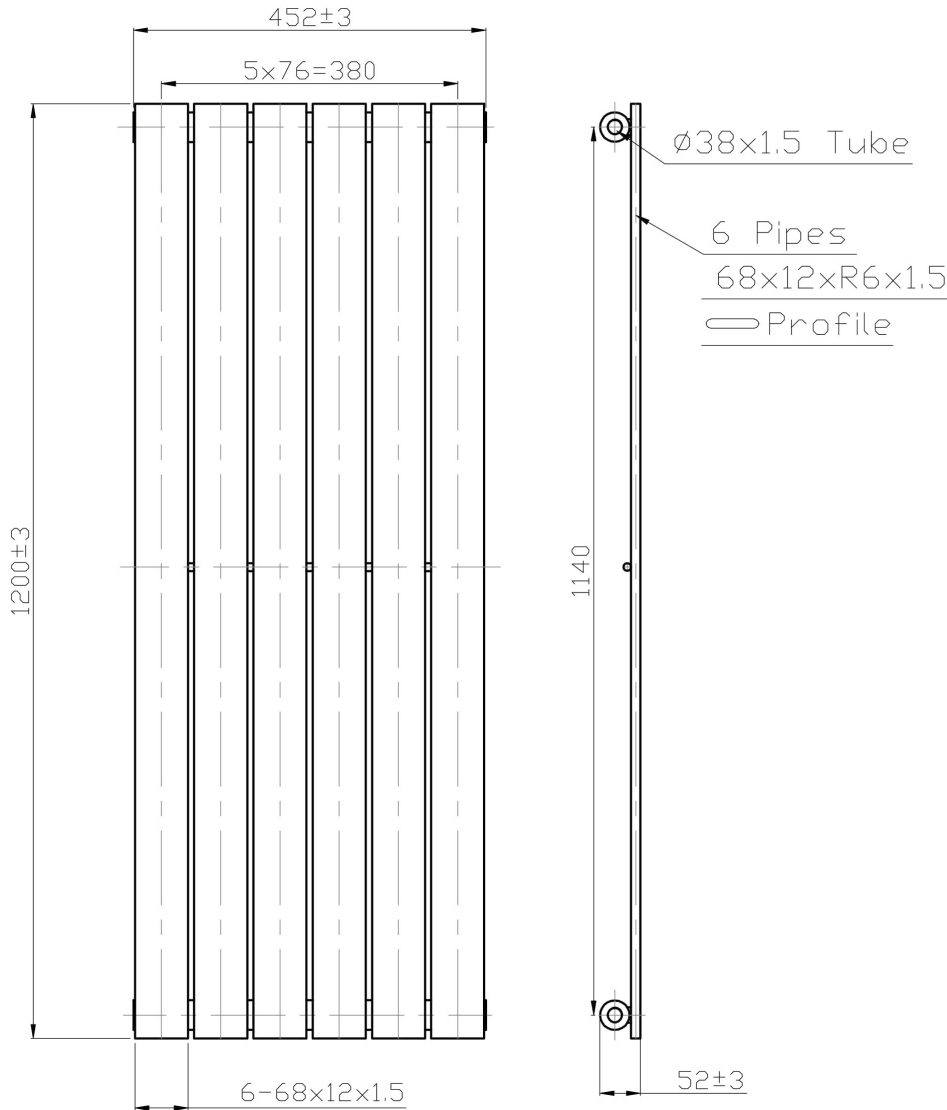
Technical Data Sheet

Range: Designer radiator

Type: Orla

Code: RA044

Version/Date: v4 01/19



Information:

Multiple towel rails may be added to this product

Height	Width	Tapping Centres	Wall to Pipe Centres	Watts	BTU's	Code
1200	450	450	50	543	1852	RA044

This product is designed as a warmer of dry towels. Placing wet towels or garments on this product may result in the deterioration of the surface finish.

Guarantee/Aftercare: During installation extra care must be taken to avoid damaging the fittings. We provide a guarantee against faulty manufacture or materials (excluding serviceable parts), providing they have been installed, cared for and used in accordance with our instructions and good plumbing practice. All products installed in a commercial environment carry a 12 month guarantee. We cannot be held responsible for the use of incorrect dimensions shown for first fix without the actual products on site.

Finishes:



Chrome

Phoenix Whirlpools Ltd. Unit 8, Leeds 27 Industrial Estate, Bruntcliffe Avenue, Morley, Leeds LS27 0LL

Tel: (Sales) +44 (0)113 2012260 Fax: +44 (0)113 2012268 Email: sales@phoenix-uk.co.uk Web: www.phoenix-uk.co.uk

Notes: Drawings may not be to scale. All dimensions in mm unless otherwise stated. Information correct at time of printing but subject to change at any time.