

# Phoenix

DESIGNED FOR YOU

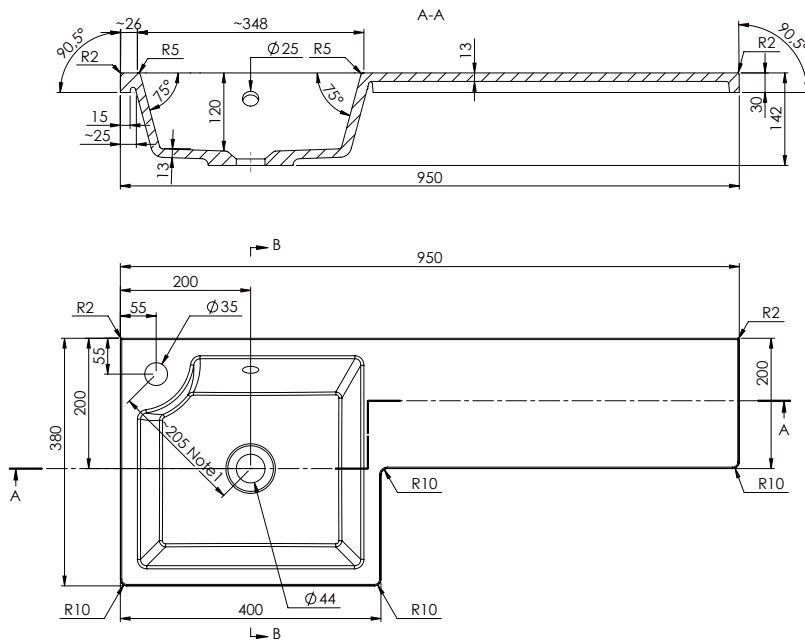
Technical Data Sheet

Range: Furniture

Type: L-Shape 950

Code: LH=FU700-FU706 RH=FU710-FU716

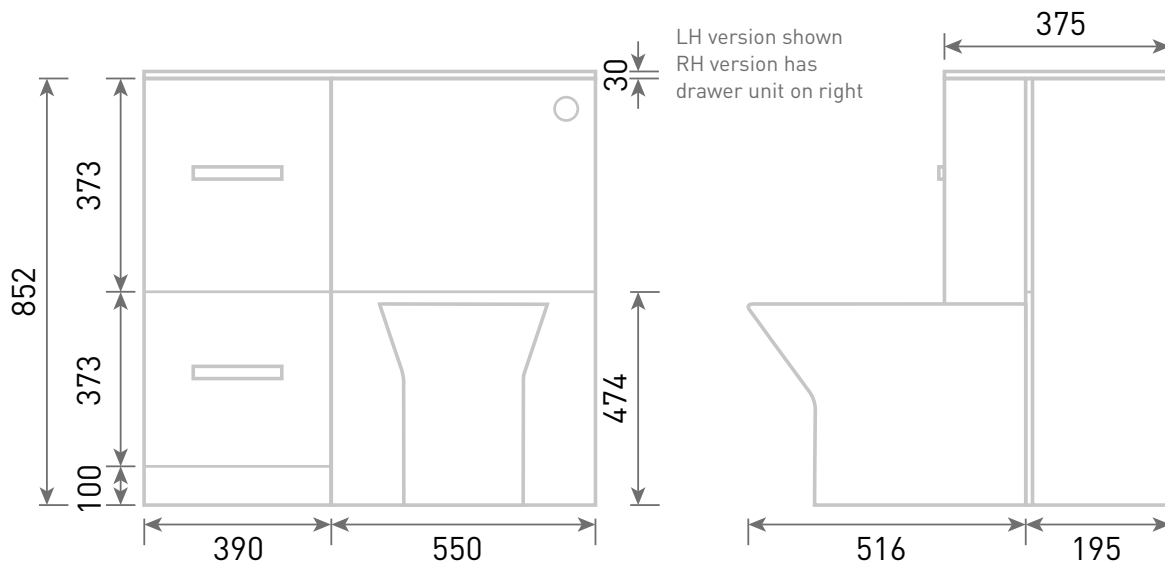
Version/Date: v2 07/19



RH version



LH version



**Information:**

- Basin unit
- WC unit
- One piece basin/WC top
- Dual flush concealed cistern
- Megan BTW pan & soft-close seat
- Soft-close drawers

**Guarantee/Aftercare:** During installation extra care must be taken to avoid damaging the fittings. We provide a guarantee against faulty manufacture or materials (excluding serviceable parts), providing they have been installed, cared for and used in accordance with our instructions and good plumbing practice.

**Finishes:**



Phoenix Whirlpools Ltd. Unit 8, Leeds 27 Industrial Estate, Bruntcliffe Ave. Morley, Leeds LS27 0LL

Tel: (Sales) +44 (0)113 2012260 Fax: +44 (0)113 2012268 Email: sales@phoenix-uk.co.uk Web: www.phoenix-uk.co.uk

Notes: Drawings may not be to scale. All dimensions in mm unless otherwise stated. Information correct at time of printing but subject to change at any time.