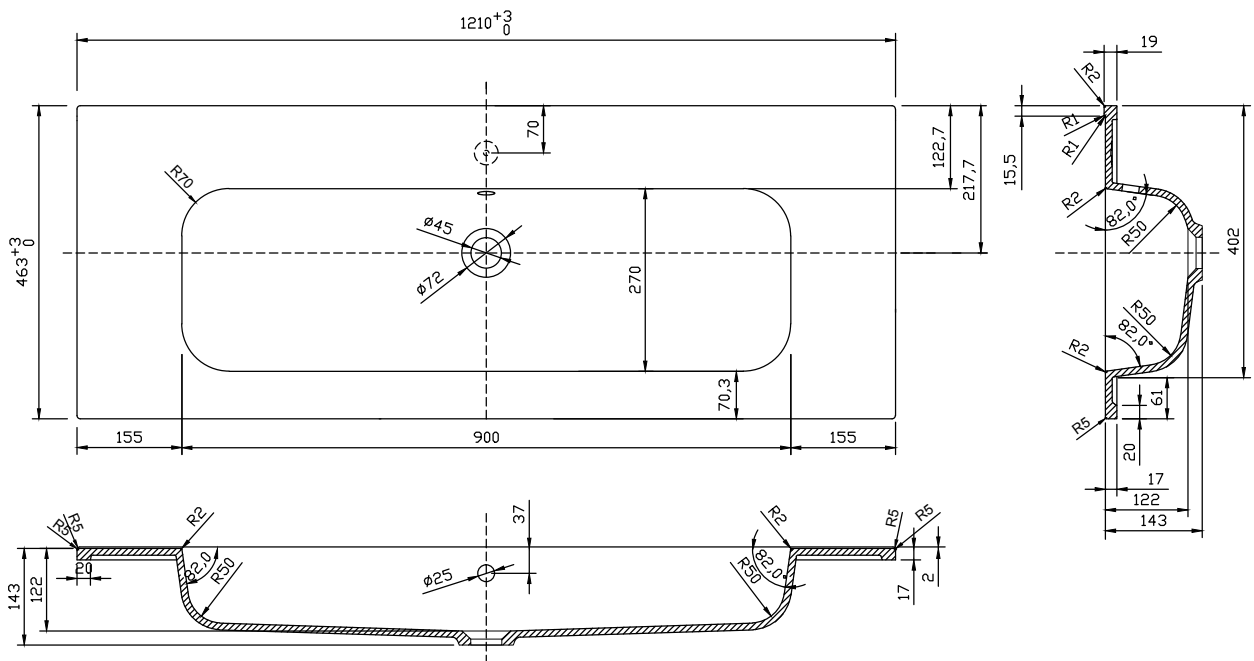
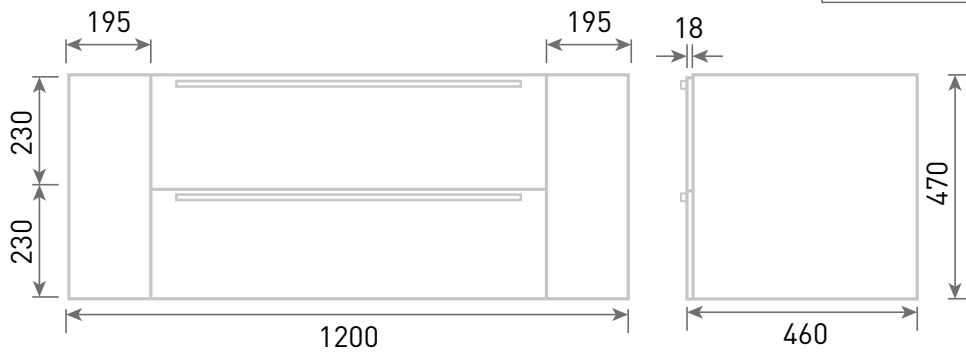


# Phoenix

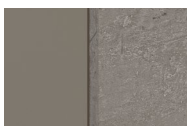
DESIGNED FOR YOU

Technical Data Sheet

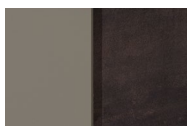
Range: Furniture  
 Type: I-Zone - 120 Basin: NH/TH  
 Code: N010912 N011012 N011212 N011112  
 Version/Date: v1 01/20



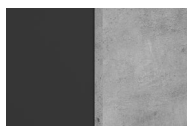
### Colour - Unit:



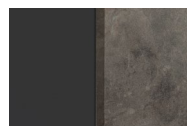
Stone Matt & Light Concrete



Stone Matt & Metal Slate



Matt Graphite & Light Grey Chicago

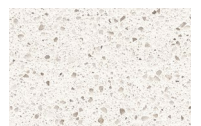


Matt Graphite & Metal Rock

### Colour - Worktop:



Sparkling White



Neo Quartz

**Guarantee/Aftercare:** During installation extra care must be taken to avoid damaging the fittings. We provide a guarantee against faulty manufacture or materials (excluding serviceable parts), providing they have been installed, cared for and used in accordance with our instructions and good plumbing practice.

Phoenix Whirlpools Ltd. Unit 8, Leeds 27 Industrial Estate, Bruntcliffe Ave. Morley, Leeds LS27 0LL

Tel: (Sales) +44 (0)113 2012260 Fax: +44 (0)113 2012268 Email: sales@phoenix-uk.co.uk Web: www.phoenix-uk.co.uk

Notes: Drawings may not be to scale. All dimensions in mm unless otherwise stated. Information correct at time of printing but subject to change at any time.