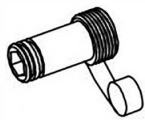
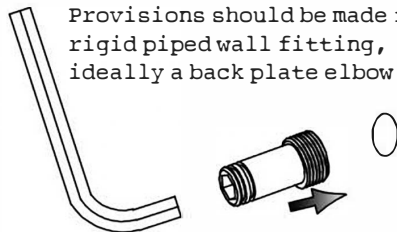


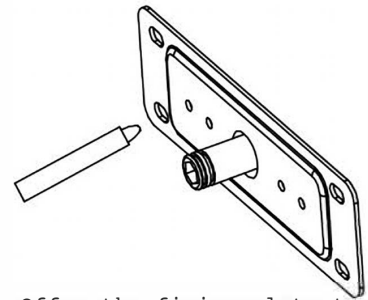
1 Remove the wall plate using the Allen key provided.



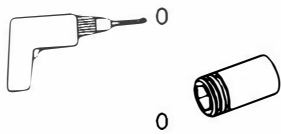
2 Using the Teflon tape provided, ensure the thread is covered.



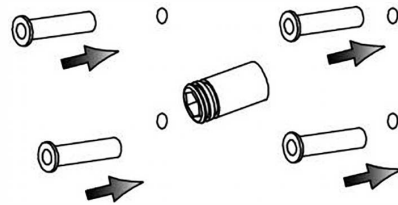
3 Provisions should be made for a rigid piped wall fitting, ideally a back plate elbow.  
Using the Allen key provided, screw the brass connector into the wall fitting, ensuring to leave 25mm protruding.



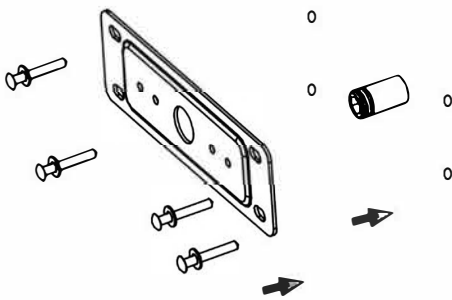
4 Offer the fixing plate to the wall ensuring it's level and mark the fixing holes on the wall.



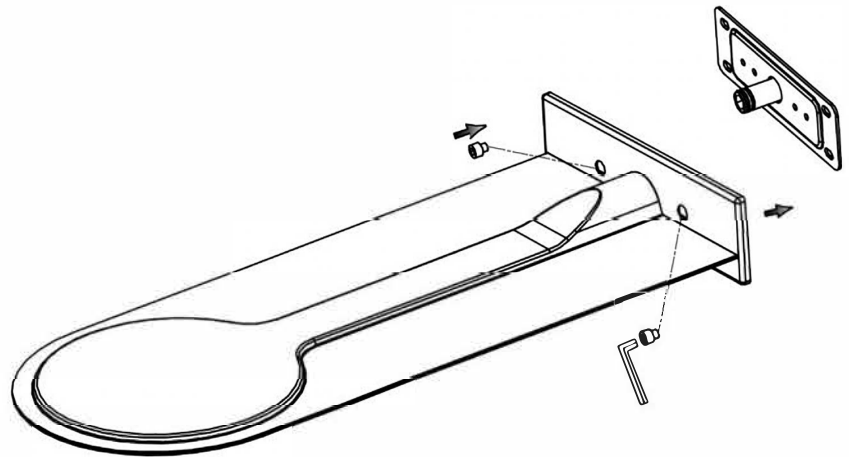
5 Drill the holes with a 8mm drill (suitable for the tiles on the wall)



6 Insert the Rawl plugs provided.



7 Using the screws provided attach the wall plate to the wall.



8 Attach the shower head to the wall plate using the machine screws and Allen key provided.