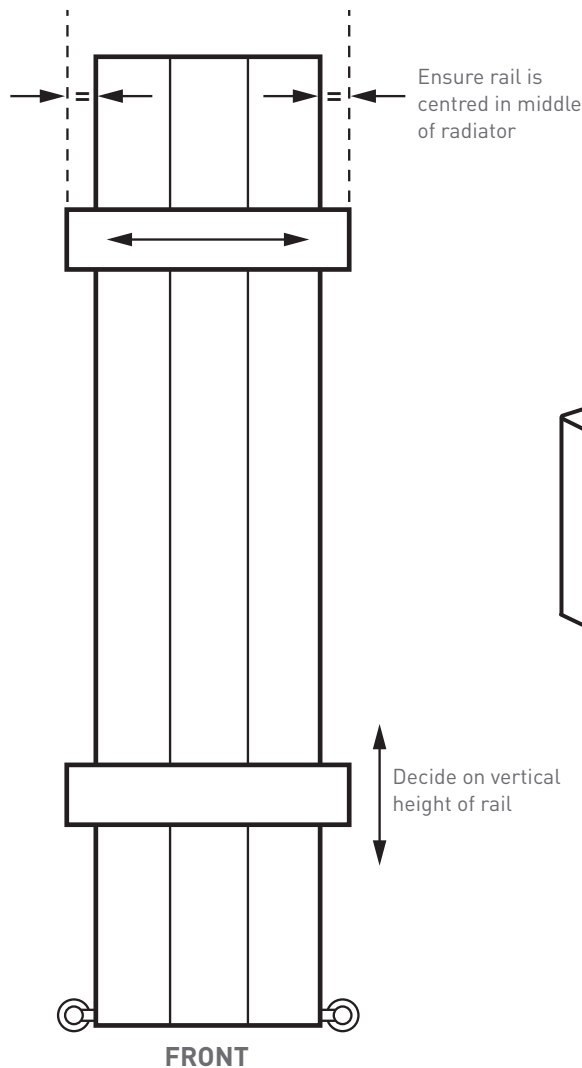


Fitting Guide

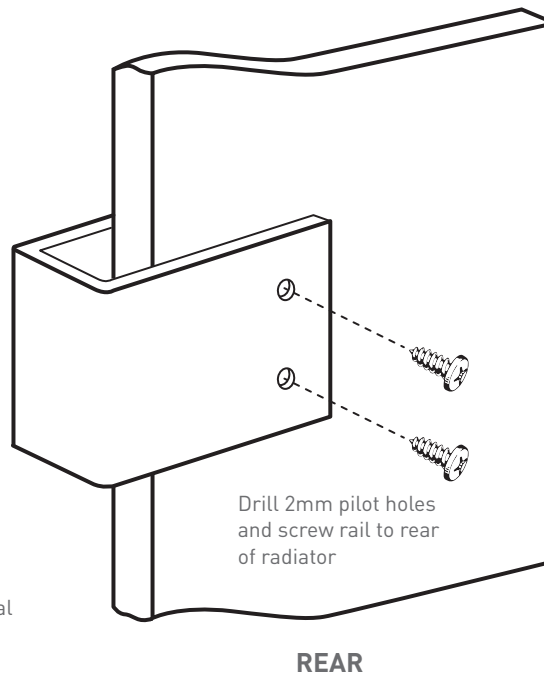
Range: Radiators - Towel Rail
Type: Vega Zion Eon
Code: HR001 HR002
Version/Date: v1 07/16



Ensure rail is centred in middle of radiator

Decide on vertical height of rail

FRONT



Drill 2mm pilot holes and screw rail to rear of radiator

REAR



- Decide on height position of rail/rails vertically on your radiator.
- Ensure that the rail will be centred in the middle of the radiator horizontally.
- Using the holes in the rails as guides, drill a 2mm pilot hole in the rear of the radiator - These models have hollow front panels, no liquids are contained in the panels.
- Screw the self tapping screws (supplied) through the rail holes to secure it to the radiator, ensuring that the screws do not protrude through the front of the panel. Repeat for other holes.
- Ensure screws are tight.
- Hang your towels onto the front of the rail.

Information:

Guarantee/Aftercare: During installation extra care must be taken to avoid damaging the fittings. We provide a guarantee against faulty manufacture or materials (excluding serviceable parts), providing they have been installed, cared for and used in accordance with our instructions and good plumbing practice.

Finishes:



Chrome

Phoenix Whirlpools Ltd. Unit 8, Leeds 27 Industrial Estate, Bruntcliffe Ave. Morley, Leeds LS27 0LL

Tel: (Sales) +44 (0)113 2012260 Fax: +44 (0)113 2012268 Email: sales@phoenix-uk.co.uk Web: www.phoenix-uk.co.uk