

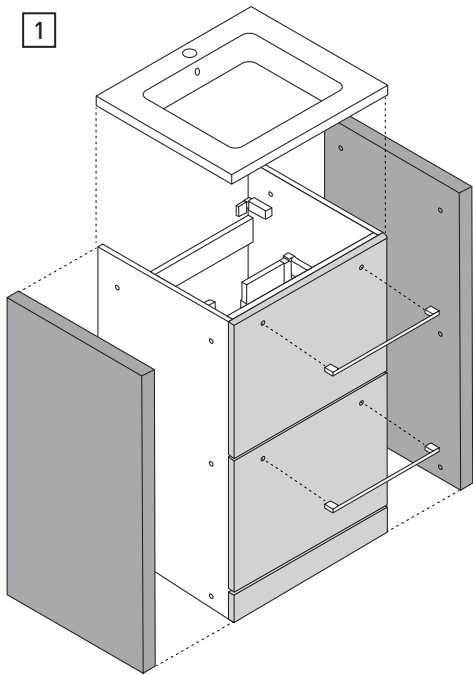
# Phoenix

DESIGNED FOR YOU

## Fitting Guide

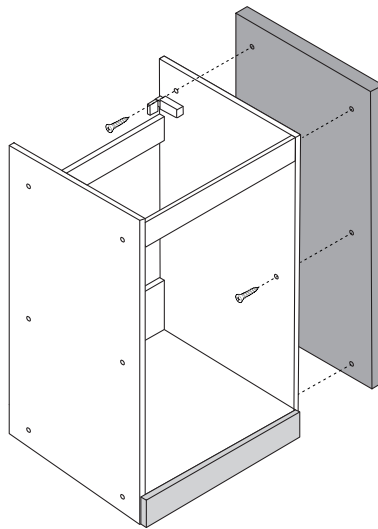
Range: Furniture - Secelta  
Type: Wall & Floor Units  
Code: FUxxx  
Version/Date: v1 02/18

1



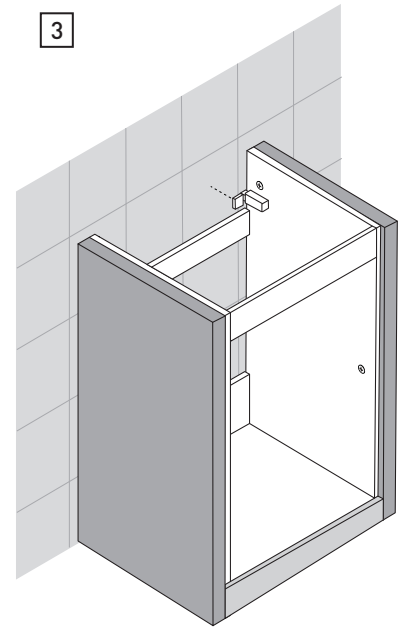
- The Secelta sides & carcass are supplied separately.

2



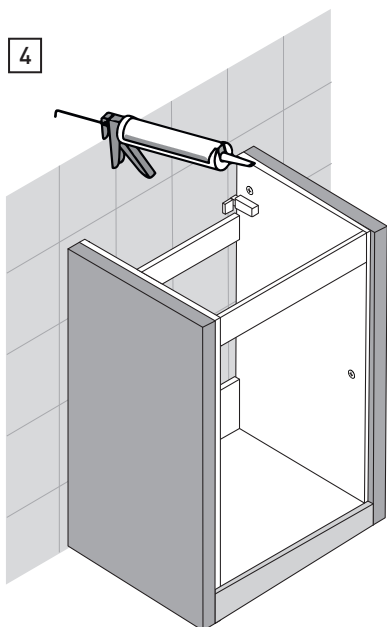
- Affix the sides to the carcass using the pre-drilled holes and screws provided.

3



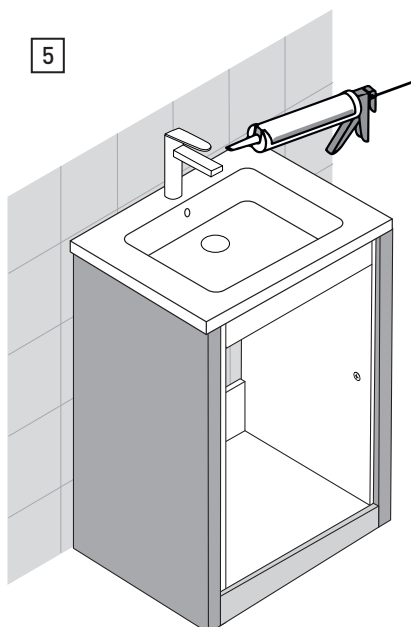
- Fasten the units to the walls using the brackets that are pre-fitted to the carcass.

4



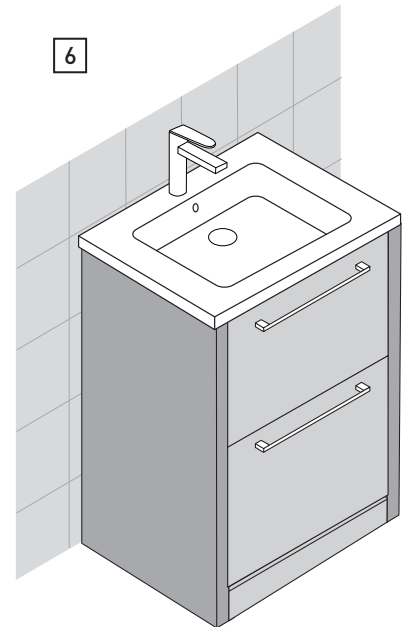
- A silicone bead should be used to attach your chosen top.

5



- A bead of silicone should then be applied between the back of the top and the finished/tiled wall.

6



- Attach the handles with the screws provided, then re-insert the drawers.

**Guarantee/Aftercare:** During installation extra care must be taken to avoid damaging the fittings. We provide a guarantee against faulty manufacture or materials (excluding serviceable parts), providing they have been installed, cared for and used in accordance with our instructions and good plumbing practice.

Phoenix Whirlpools Ltd. Unit 8, Leeds 27 Industrial Estate, Bruntcliffe Ave. Morley, Leeds LS27 0LL

Tel: (Sales) +44 (0)113 2012260 Fax: +44 (0)113 2012268 Email: sales@phoenix-uk.co.uk Web: www.phoenix-uk.co.uk

Notes: Drawings may not be to scale. All dimensions in mm unless otherwise stated. Information correct at time of printing but subject to change at any time.